

KENWOOD

TK-D740 TK-D840

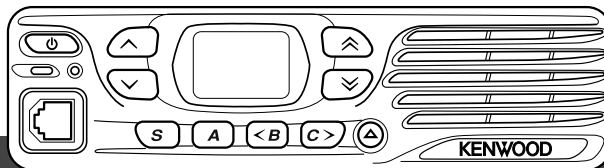
VHF DIGITAL TRANSCEIVER
UHF DIGITAL TRANSCEIVER

USER GUIDE

This User Guide covers only the basic operations of your radio. Ask your dealer for information on any customized features they may have added to your radio. For using details instruction manual (User Manual), refer to the following URL.



http://manual.kenwood.com/en_contents/search/keyword



JVCKENWOOD Corporation

B5A-0923-00 (M, C)



THANK YOU

We are grateful you have chosen **KENWOOD** for your Digital Transceiver applications.

CONTENTS

NOTICES TO THE USER	3
PRECAUTIONS	4
UNPACKING AND CHECKING EQUIPMENT	5
SUPPLIED ACCESSORIES	5
PREPARATION	6
ORIENTATION	8
FRONT AND REAR VIEWS	8
DISPLAY.....	9
BASIC OPERATION	10
SWITCHING POWER ON/ OFF	10
ADJUSTING THE VOLUME	10
SELECTING A ZONE AND CHANNEL	10
TRANSMITTING	10
RECEIVING.....	10

NOTICES TO THE USER

- ◆ Government law prohibits the operation of unlicensed radio transmitters within the territories under government control.
- ◆ Illegal operation is punishable by fine and/or imprisonment.
- ◆ Refer service to qualified technicians only.

Safety: It is important that the operator is aware of, and understands, hazards common to the operation of any transceiver.



WARNING

- ◆ **EXPLOSIVE ATMOSPHERES (GASES, DUST, FUMES, etc.)**
Turn OFF your transceiver while taking on fuel or while parked in gasoline service stations. Do not carry spare fuel containers in the trunk of your vehicle if your transceiver is mounted in the trunk area.
- ◆ **INJURY FROM RADIO FREQUENCY TRANSMISSIONS**
Do not operate your transceiver when somebody is either standing near to or touching the antenna, to avoid the possibility of radio frequency burns or related physical injury.
- ◆ **DYNAMITE BLASTING CAPS**
Operating the transceiver within 500 feet (150 m) of dynamite blasting caps may cause them to explode. Turn OFF your transceiver when in an area where blasting is in progress, or where "TURN OFF TWO-WAY RADIO" signs have been posted. If you are transporting blasting caps in your vehicle, make sure they are carried in a closed metal box with a padded interior. Do not transmit while the caps are being placed into or removed from the container.

One or more of the following statements may be applicable:

FCC WARNING

This equipment generates or uses radio frequency energy. Changes or modifications to this equipment may cause harmful interference unless the modifications are expressly approved by the party responsible/ JVC KENWOOD. The user could lose the authority to operate this equipment if an unauthorized change or modification is made.

INFORMATION TO THE DIGITAL DEVICE USER REQUIRED BY THE FCC

This equipment has been tested and found to comply with the limits for a Class B digital device, pursuant to Part 15 of the FCC Rules. These limits are designed to provide reasonable protection against harmful interference in a residential installation.

This equipment generates, uses and can generate radio frequency energy and, if not installed and used in accordance with the instructions, may cause harmful interference to radio communications. However, there is no guarantee that the interference will not occur in a particular installation. If this equipment does cause harmful interference to radio or television reception, which can be determined by turning the equipment off and on, the user is encouraged to try to correct the interference by one or more of the following measures:

- Reorient or relocate the receiving antenna.
- Increase the separation between the equipment and receiver.
- Connect the equipment to an outlet on a circuit different from that to which the receiver is connected.
- Consult the dealer for technical assistance.

The AMBE+2™ voice coding Technology embodied in this product is protected by intellectual property rights including patent rights, copyrights and trade secrets of Digital Voice Systems, Inc. This voice coding Technology is licensed solely for use within this Communications Equipment. The user of this Technology is explicitly prohibited from attempting to extract, remove, decompile, reverse engineer, or disassemble the Object Code, or in any other way convert the Object Code into a human-readable form. U.S. Patent Nos. #6,199,037, #6,912,495, #8,200,497, #7,970,606, and #8,359,197

Firmware Copyrights

The title to and ownership of copyrights for firmware embedded in KENWOOD product memories are reserved for JVC KENWOOD Corporation.

PRECAUTIONS

Observe the following precautions to prevent fire, personal injury, and transceiver damage.

- Do not attempt to configure the transceiver while driving; it is too dangerous.
- Do not disassemble or modify the transceiver for any reason.
- Do not expose the transceiver to long periods of direct sunlight, nor place it near heating appliances.
- If an abnormal odor or smoke is detected coming from the transceiver, switch the transceiver power off immediately, and contact your **KENWOOD** dealer.
- Use of the transceiver while you are driving may be against traffic laws. Please check and observe the vehicle regulations in your area.
- Do not use options not specified by **KENWOOD**.
- Do not put the plastic bag used for packing of this equipment on the place which reaches a small child's hand. It will become a cause of suffocation if it wears flatly.
- Do not place the transceiver on unstable surfaces.
- Keep the volume as low as possible to protect your hearing.
- Always switch the transceiver power off before installing optional accessories.



CAUTION

- ◆ The transceiver operates in 12 V negative ground systems only! Check the battery polarity and voltage of the vehicle before installing the transceiver.
- ◆ Use only the supplied DC power cable or a **KENWOOD** optional DC power cable.
- ◆ Do not cut and/or remove the fuse holder on the DC power cable.
- ◆ Do not place the microphone cable around your neck while near machinery that may catch the cable.



WARNING

For passenger safety, install the transceiver securely using the supplied mounting bracket and screw set so the transceiver will not break loose in the event of a collision.

UNPACKING AND CHECKING EQUIPMENT

Note:

- ◆ The following instructions are for use by your **KENWOOD** dealer, an authorized **KENWOOD** service facility, or the factory.

Carefully unpack the transceiver. We recommend that you identify the items listed below before discarding the packing material. If any items are missing or have been damaged during shipment, file a claim with the carrier immediately.

SUPPLIED ACCESSORIES

DC power cable (with fuses)	1
• 10 A fuse	2
Mounting bracket	1
Screw set	
• 5 x 16 mm self-tapping screw	4
• M4 x 6 mm hex-headed screw with washer	4
• Spring washer	4
• Flat washer	4
User guide	1

PREPARATION



WARNING

Various electronic equipment in your vehicle may malfunction if they are not properly protected from the radio frequency energy which is present while transmitting. Typical examples include electronic fuel injection, anti-skid braking, and cruise control. If your vehicle contains such equipment, consult the dealer for the make of vehicle and enlist his/her aid in determining if they will perform normally while transmitting.

Connecting the power cable



CAUTION

The transceiver operates in 12 V negative ground systems only! Check the battery polarity and voltage of the vehicle before installing the transceiver.

- 1 Check for an existing hole, conveniently located in the firewall, where the power cable can be passed through.
 - If no hole exists, use a circle cutter to drill a hole, then install a rubber grommet.
- 2 Run the power cable through the firewall and into the engine compartment.
- 3 Connect the red lead to the positive (+) battery terminal and the black lead to the negative (-) battery terminal.
 - Place the fuse as close to the battery as possible.
- 4 Coil the surplus cable and secure it with a retaining band.
 - Be sure to leave enough slack in the cables so the transceiver can be removed for servicing while keeping the power applied.

Installing the Transceiver



WARNING

For passenger safety, install the transceiver securely using the supplied mounting bracket and screw set so the transceiver will not break loose in the event of a collision.

Note:

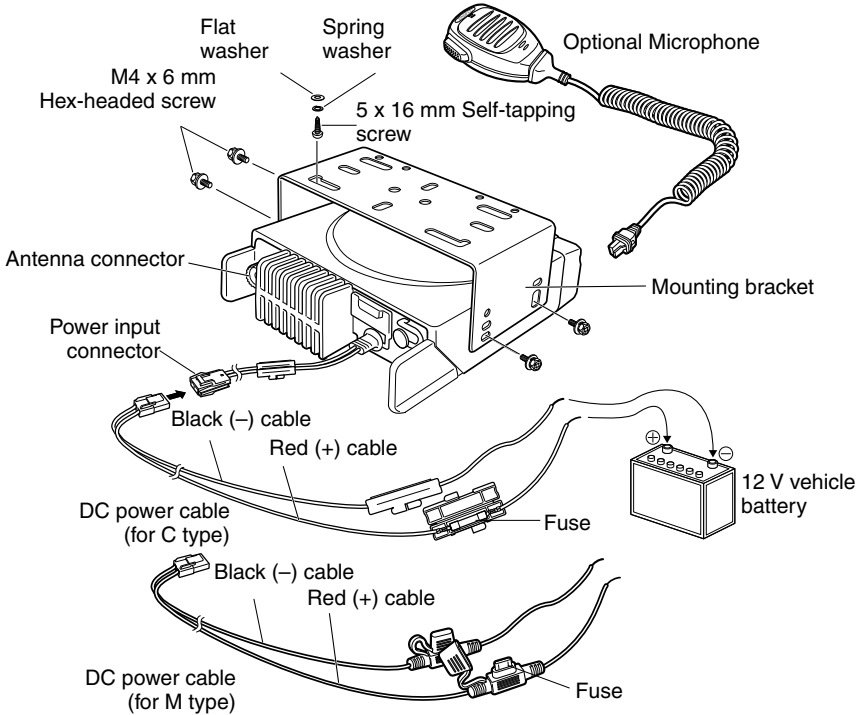
- ◆ Before installing the transceiver, check how far the mounting screws will extend below the surface. When drilling mounting holes, be careful not to damage vehicle wiring or parts.
- 1 Mark the position of the holes in the dash, using the mounting bracket as a template. Using a 4.2 mm (5/32 inch) drill bit, drill the holes, then attach the mounting bracket using the supplied screws.
 - Mount the transceiver within easy reach of the user and where there is sufficient space at the rear of the transceiver for cable connections.
 - 2 Connect the antenna and the supplied power cable to the transceiver.
 - 3 Slide the transceiver into the mounting bracket and secure it using the supplied hex-headed screws.

- 4 Mount the microphone hanger in a location where it will be within easy reach of the user.
- The microphone and microphone cable should be mounted in a place where they will not interfere with the safe operation of the vehicle.



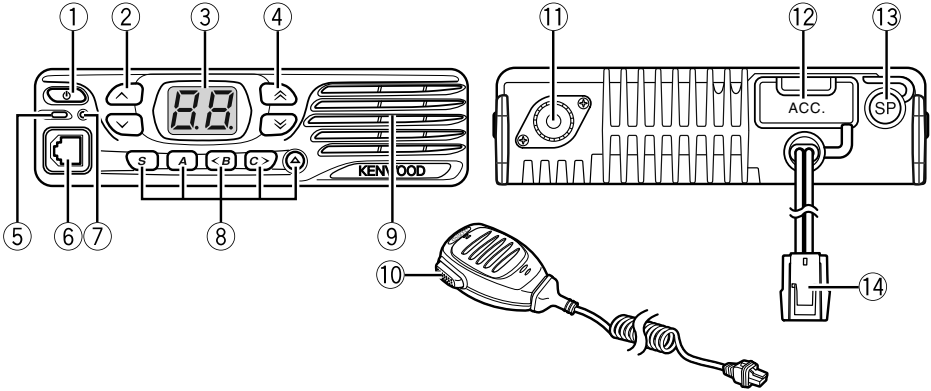
CAUTION

When replacing the fuse in the DC power cable, be sure to replace it with a fuse of the same value. Never replace a fuse with one that is rated with a higher value.



ORIENTATION

FRONT AND REAR VIEWS



- ① **⏻ (Power) switch**
Press to switch the transceiver ON or OFF.
- ② **^ / v keys**
Press to activate their programmable functions.
- ③ **Display**
Refer to page 9.
- ④ **⤴ / ⤵ keys**
Press to activate their programmable functions.
- ⑤ **TX/RX Indicator**
Lights red while transmitting. Lights green while receiving a signal. Flashes orange when receiving an optional signaling call.
- ⑥ **Microphone jack**
Insert the microphone plug into this jack.
- ⑦ **Status Indicator**
Lights during a specified mode, based on dealer programming.
- ⑧ **S / A / <B / C> / Δ keys**
Press to activate their programmable functions.
- ⑨ **Speaker**
Internal speaker.
- ⑩ **PTT switch**
Press this switch, then speak into the microphone to call a station.
- ⑪ **Antenna connector**
Connect the antenna to this connector.
- ⑫ **ACC connector**
Connect the ACC to this connector, via the KCT-60.
- ⑬ **External speaker jack**
Connect an external speaker to this jack.

⑭ **Power input connector**

Connect the DC Power Cable to this connector.

DISPLAY

The display shows the zone/ channel number and the 2 dots show various modes of operation.

Display	Description	Display	Description
	Zone Display (Zone 1)		Appears when a channel is removed from the scan list. (cd)
	Channel Display (Channel 16)		Appears when the Lone Worker function is activated. (Ln)
	Appears during Scan. (Sc)		Appears when sending data. (dt)
	Appears during the transceiver is stunned. (St)		Appears when the channel is busy.
	Appears when switch the transceiver ON. The Transceiver Password function is programmed. (PS)		The selected channel is the Priority channel. (P)
	Appears when the Squelch Level setting is activated. (SL)		Appears when the Scrambler function is activated. (Sr)
	Appears when the Talk Around function is activated. (tA)		Appears when the Scrambler code mode is activated. (co)
	Appears when the Horn Alert function is activated. (HA)		Appears when the Message is completed. (Ed)
	Appears when the Public Address function is activated. (PA)		Appears when the Call Interrupt function is activated. (It)
	Appears when the AUX function is activated. (AU)		Appears when the External Speaker is selected. (SP)
	Appears when a channel is added to the scan list. (cA)		

BASIC OPERATION

SWITCHING POWER ON/ OFF

Press [⏻] to switch the transceiver ON.

Press [⏻] again to switch the transceiver OFF.

ADJUSTING THE VOLUME

Press the key programmed as [Volume Up] to increase the volume. Press the key programmed as [Volume Down] to decrease the volume.

SELECTING A ZONE AND CHANNEL

Select the desired zone and channel using the keys programmed as [Zone Up]/ [Zone Down] and [Channel Up]/ [Channel Down].

- “G1” (Zone 1)/ “16” (Channel 16) appears on the display.

TRANSMITTING

- 1 Select the desired zone and channel.
- 2 Press the key programmed as [Monitor] or [Squelch Off] to check whether or not the channel is free.
 - If the channel is busy, wait until it becomes free.
- 3 Press the **PTT** switch and speak into the microphone. Release the **PTT** switch to receive.
 - For best sound quality at the receiving station, hold the microphone approximately 3 cm to 4 cm from your mouth.

RECEIVING

Select the desired zone and channel. If signaling has been programmed on the selected channel, you will hear a call only if the received signal matches your transceiver settings.

Receiving Group Calls

When you receive a group call and the received group ID matches the ID set up on your transceiver, you can hear the caller's voice.

Receiving Individual Calls

When you receive an individual call, a ringing tone will sound. To respond to the call, press and hold the **PTT** switch and speak into the transceiver as you would during a normal transmission.

KENWOOD

TK-D740

TK-D840

VHF 数字车载对讲机

UHF 数字车载对讲机

用户指南

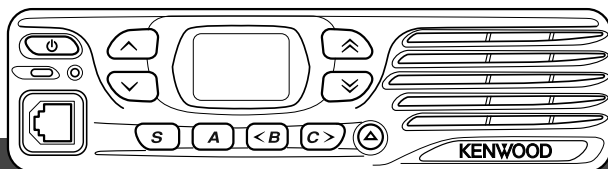
本用户指南只涵盖了您收音机的基本操作。关于经销商可能给您的收音机添加的任何定制功能的信息，请咨询您的经销商。关于使用说明书（用户手册）的使用详情，请参阅以下 URL

http://manual.kenwood.com/en_contents/search/keyword



使用之前请阅读以下信息：

使用产品前请仔细阅读本用户指南，并请妥善保管。



JVCKENWOOD Corporation

鸣谢惠购

我们感谢您选择 KENWOOD 作为您的数字对讲机应用程序。

目录

用户注意事项	3
注意事项	4
拆开包装箱并检查设备	5
随机附件	5
准备工作	6
介绍	8
前/后视图	8
显示屏	9
基本操作	10
切换电源开/关	10
音量调节	10
选择区域和信道	10
发射	10
接收	10

用户注意事项

- ◆ 政府法律禁止在政府控制的区域内使用未经当局许可的无线电发射机。
- ◆ 非法使用将会受到罚款或监禁处罚。
- ◆ 只能由有资格的技术人员进行维修。

安全性: 操作人员应该知道并了解对讲机操作的一般危险。



警告

- ◆ **易爆环境（气体、粉尘以及烟雾等）**
在加油或者停车于加油站时，请关闭通信机。如果通信机安装在汽车的行李箱部位，请勿将备用油箱放在行李箱内。
- ◆ **射频辐射伤害**
当有人站立于天线附近或触摸天线时，请勿操作通信机，以免造成射频辐射灼伤或相关人体伤害。
- ◆ **炸药起爆雷管**
在距离炸药起爆雷管150米的范围以内操作通信机可能引起雷管的爆炸。当位于爆破现场或标有“关掉双向无线电”标志的区域内时，请关闭通信机电源。如您正在使用车辆运输雷管，务必确保将雷管装在内有衬垫的封闭式金属箱中。将雷管放入箱内或从箱中取出时，请勿进行发射操作。

产品中有毒有害物质或元素的名称及含量

部件名称	有毒有害物质或元素					
	铅 (Pb)	汞 (Hg)	镉 (Cd)	六价铬 (Cr(VI))	多溴联苯 (PBB)	多溴二苯醚 (PBDE)
框架	×	○	○	×	○	○
安装基板	×	○	○	○	○	○
电缆	○	○	○	○	○	○
扬声器	○	○	○	×	○	○
其他(附件)	○	○	○	×	○	○

本表格依据 SJ/T 11364 的规定编制。

○：表示该有害物质在该部件所有均质材料中的含量均在 GB/T 26572 规定的限量要求以下。

×：表示该有害物质至少在该部件的某一均质材料中的含量超出 GB/T 26572 规定的限量要求。



环保使用期限

此图标表示了中国《电子信息产品污染控制管理办法》规定的环保使用期限。只要用户在使用本产品时遵守注意事项中的各项规定，从制造日期开始到此图标标出的期限为止（环保使用期限）既不会污染环境也不会产生对人体有害的物质。

附件和消耗性零件的环保使用期限如下所示：
（不同产品中包含的附件和消耗性零件也不相同。）
电缆类：10 年

本产品所包含的A M B E +2^T 语音编码技术受Digital Voice System, Inc. 知识产权(包括专利权、版权和贸易机密) 的保护。该语音编码技术仅许可用于本通信设备。该技术的使用人员明确禁止尝试提取、移除、破译、反向编译或拆除目标代码,或以其他方式将目标代码转换为人类可读形式。美国专利编号 #6,199,037, #6,912,495, #8,200,497, #7,970,606, and #8,359,197.

固件版权

JVC建伍公司保留建伍产品存储器内嵌固件的产权和版权的所有权。

注意事项

请遵照以下注意事项,以防止火灾、人身伤害和通信机损坏。

- 开车时请勿尝试配置通信机;这样做非常危险。
- 无论何种原因请勿拆卸或改装通信机。
- 请勿将本机长时间暴晒于阳光下,也不可靠近热源。
- 如发现本机发出异味或冒烟,请立即关闭通信机电源,并与您的KENWOOD经销商联系。
- 开车时使用通信机可能会违反交通法规。请查阅并遵守当地的交通法规。
- 请勿使用非KENWOOD指定的选件。
- 请不要将该设备的包装塑料袋放在小孩可以触摸到的地方。如果塑料袋盖在头上可能会导致窒息。
- 请勿将对讲机放置在不稳定的表面上。
- 为保护听力请尽可能降低音量。
- 在连接选件前,请务必关闭对讲机的电源。



注意

- ◆ 本通信机仅能在12V的负极接地系统中工作! 安装通信机前请检查电池极性及车辆的电压数值。
- ◆ 只能使用随带的直流电源电线或选购的KENWOOD直流电源电线。
- ◆ 请勿切断和/或移除直流电源电线上的保险丝管座。
- ◆ 在电线可能被卷入机器的附近,请不要将麦克风的电线挂于颈部。



注意

为了乘客安全起见,请使用随带的安装支架和螺丝组将通信机安装牢固,以防在发生车辆碰撞时通信机松脱。

拆开包装箱并检查设备

注:

◆ 以下说明供KENWOOD经销商、经授权的KENWOOD服务机构或工厂使用。

小心拆开通信机的包装。在丢弃包装材料前，建议您先验明下表所列的物品。如果有物品缺失或在运输过程中损坏，请立即向承运人提出书面要求。

随机附件

直流电源电线（带保险丝）	1
• 10 A保险丝	2
安装支架	1
螺丝组	
• 5 x 16 mm自攻螺丝	4
• M4 x 6 mm六角螺丝+垫圈	4
• 弹簧垫	4
• 平垫	4
用户指南	1

准备工作



警告

您车上的各种电子设备如未得到妥善保护，发射时产生的射频能量可能导致其出现故障。典型设备包括电子燃油喷射、防抱死制动及巡航控制系统。如果您的汽车装有这些设备，请咨询经销商车辆的制造信息。为了确定这些系统在发射时能否正常工作，应考虑经销商的建议。

电源电线连接



注意

本通信机仅能在12V的负极接地系统中工作！安装通信机前请检查电池极性 & 车辆的电压数值。

- 1 查找预留于隔热板上的电源电线可以穿过的小孔。
 - 如果没有，请使用圆形剪钻一个孔，然后安装橡皮环。
- 2 使电源电线穿过隔热板进入发动机室。
- 3 将红色引线连接到蓄电池的正极(+)端子，将黑色引线连接到蓄电池的负极(-)端子。
 - 使保险丝位于尽可能接近蓄电池的位置。
- 4 用定位带将多余电线绕成盘状并固定好。
 - 确保电线留有足够裕量，以便在拆下通信机进行维修时可以继续为其供电。

安装通信机



警告

为了乘客安全起见，请使用随带的安装支架和螺丝组将通信机安装牢固，以防在发生车辆碰撞时通信机松脱。

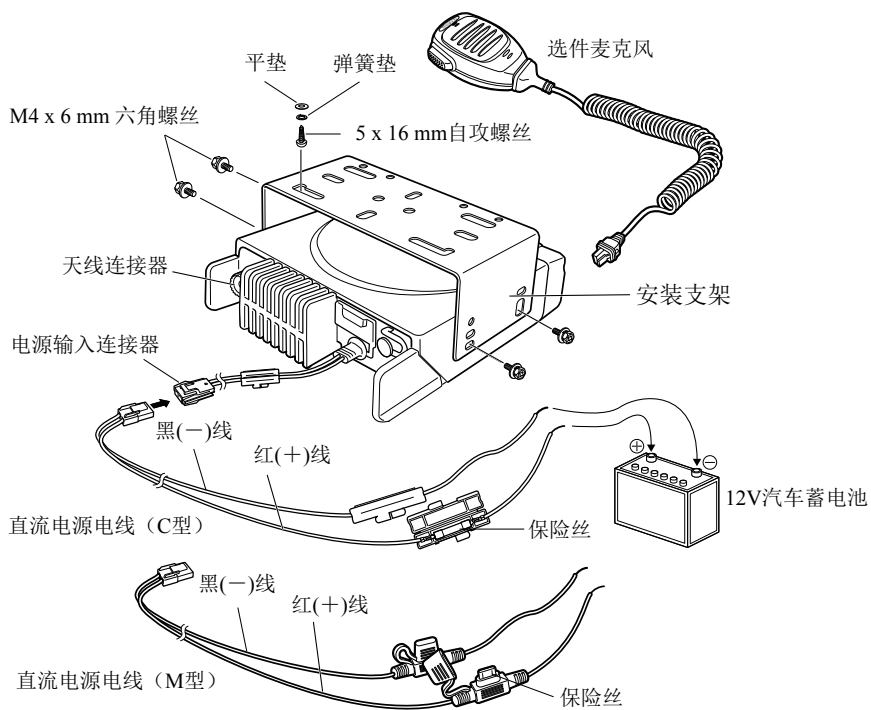
注:

- ◆ 安装通信机前，请检查安装螺丝探出安装表面下的深度。钻安装孔时要小心，不要破坏汽车的布线或零件。
- 1 以安装支架为样板，大致标出安装孔的位置。用4.2 mm的钻头钻孔，然后利用随带的螺丝安装好固定支架。
 - 在用户伸手可得的范围内安装通信机，并确保后面留有足够的空间用于电线连接。
 - 2 将天线和附带的电源电线连接到通信机上。
 - 3 将通信机滑进安装支架，并用附带的六角螺丝固定。
 - 4 在用户伸手可得的范围内安装麦克风挂钩选项。
 - 麦克风和麦克风电缆应安装在不妨碍车辆安全操作的位置。



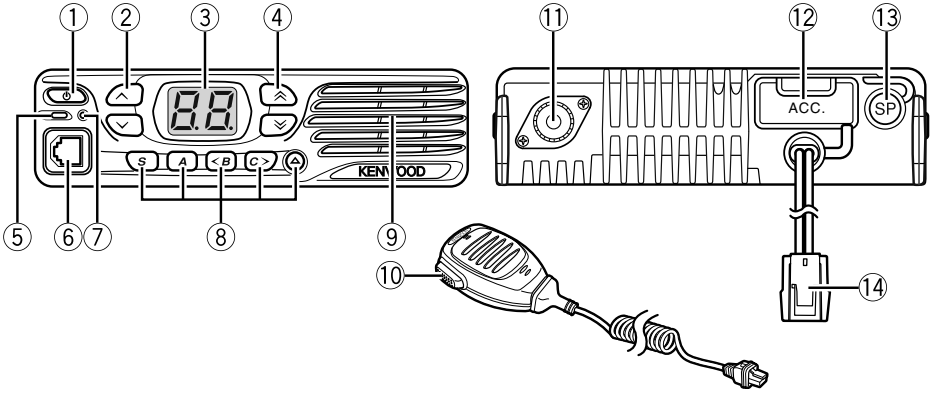
注意

替换直流电源电线中的保险丝时，确保使用相同电流值的保险丝。切勿换用额定值更高的保险丝。



介绍

前/后视图



- ① **⏻ (电源) 开关**
按下可开关通信机。
- ② **▲/▼ 键**
按下可启动其可编程功能。
- ③ **显示屏**
请参阅第9页。
- ④ **▲/▼ 键**
按下可启动其可编程功能。
- ⑤ **发射/接收指示灯**
发射时亮红色。接收信号时亮绿色。接收可选信令呼叫时闪烁橙色。
- ⑥ **麦克风插孔**
将麦克风插头插入该插孔。
- ⑦ **状态指示灯**
根据经销商的编程设置，在指定的模式期间点亮。
- ⑧ **S/A/<B/C>/▲ 键**
按下可启动其可编程功能。
- ⑨ **扬声**
内部扬声器。
- ⑩ **PTT开关**
按下此开关，然后对着麦克风讲话，可呼叫某个电台。
- ⑪ **天线连接器**
将天线连接到此连接器上。

⑫ ACC连接器

通过KCT-60将ACC连接到该连接器上。

⑬ 外部扬声器插孔

将外部扬声器连接到该插孔上。

⑭ 电源输入连接器


将直流电源电线连接到该连接器上。

显示屏

显示区域/信道号码，两个点指示各种操作模式。

显示	说明	显示	说明
	显示区域（区域1）		从扫描列表中删除信道时出现。（cd）
	显示信道（信道16）		启动单独工作者功能时出现。（Ln）
	扫描过程中出现。（Sc）		发送数据过程中出现。（dt）
	通信机被遥毙中出现。（St）		频道繁忙过程中出现。
	打开通信机电源时出现。通信机密码函数被编程。（PS）		选信道为优先信道。（P）
	静噪级别设置功能开启时出现。（SL）		扰频器功能开启时出现。（Sr）
	网通信功能开启时出现。（tA）		时出现扰频器/加密代码模式处于打开状态。（co）
	喇叭提示功能开启时出现。（HA）		信息完成时出现。（Ed）
	车外扩音功能开启时出现。（PA）		当呼叫中断功能启用时显示。（It）
	AUX功能开启时出现。（AU）		选择外接扬声器时出现。（SP）
	向扫描列表中添加信道时出现。（cA）		

切换电源开/关

按可[]打开通信机电源。

再按[]一下将关闭通信机电源。

音量调节

按 [音量上调] 键可提高音量。按 [音量下调] 键可降低音量。

选择区域和信道

请利用设置为 [区域上调]/[区域下调] 和 [信道上调]/[信道下调] 的键选择所需的区域和信道。

- 显示屏上将出现“G1”（区域1）/“16”（信道16）字样。

发射

- 1 选择想要的区域和信道。
- 2 按下设置为[监听]或[静噪打开]的键，检查信道是否空闲。
 - 如果信道繁忙，请等待直至信道空闲。
- 3 按PTT开关并对着麦克风讲话。松开PTT开关将转换到接收状态。
 - 为获得最佳的音质，嘴和麦克风之间应保持约3~4厘米的距离。

接收

选择想要的区域和信道。如果在所选信道上设置了信令，则只有在接收到符合通信机设置的信令时，您才能听到呼叫。

接收组呼

接收到组呼且接收到的组ID 与通信机设置的ID 匹配时，即可听到呼叫者的声音。

接收单呼

接收到单呼时，会响起振铃。若要响应呼叫，请按住 PTT 开关并像在常规发射期间那样对着通信机讲话。