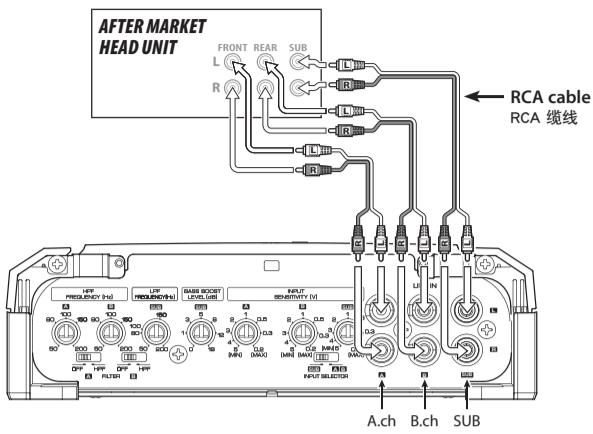
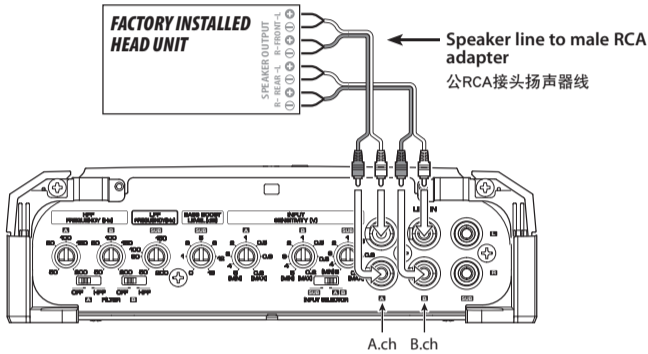


Connection / 连接

- **RCA INPUT connection**
- **RCA INPUT 连线**

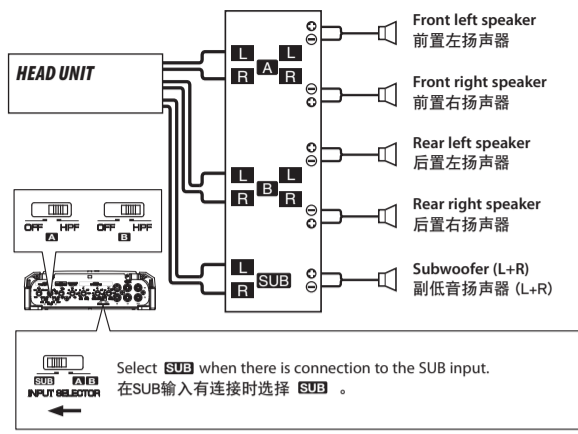


- **SPEAKER INPUT connection**
- **SPEAKER INPUT 连线**

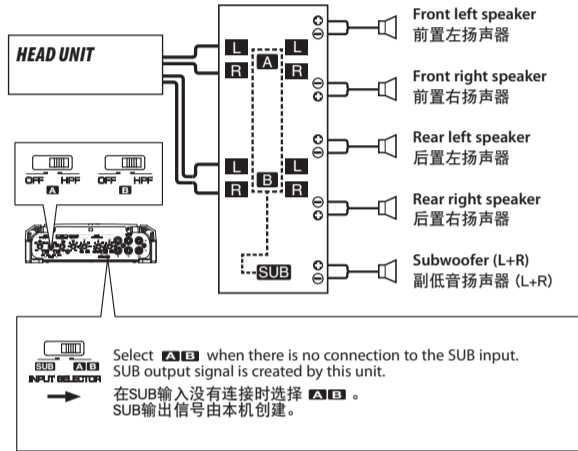


System examples / 系统配置实例

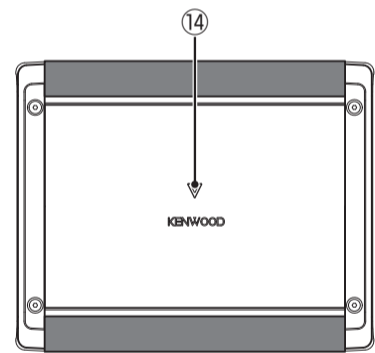
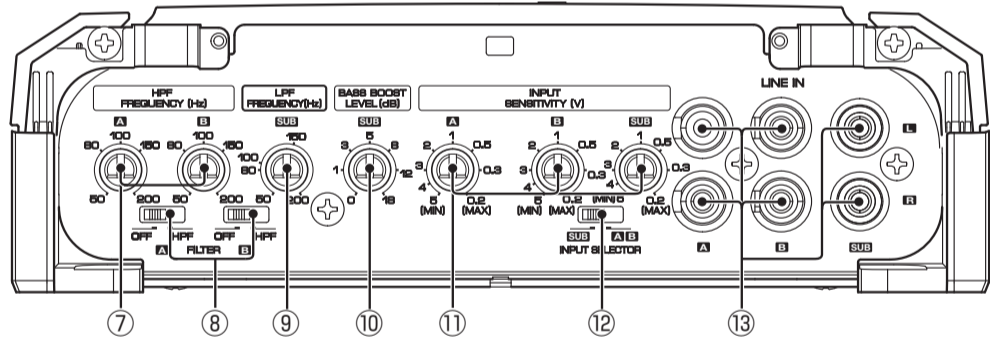
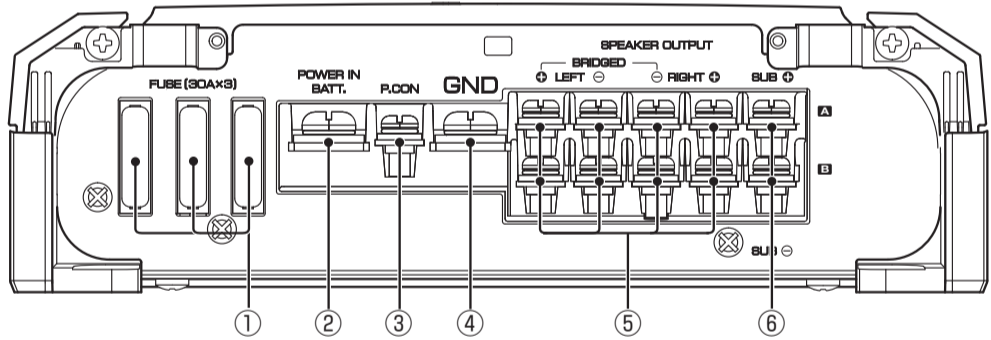
- **5-channel system (1)**
- **5 声道系统 (1)**



- **5-channel system (2)**
- **5 声道系统 (2)**



Controls / 控制



The unit is a 5-channel amplifier incorporating 2 stereo amplifiers and 1 monaural amplifier in a single body. The stereo amplifier on one side is called amplifier A, while the one on the other side is amplifier B. The monaural amplifier is called the amplifier SUB. This unit is compatible with a large variety of systems by combining the switches and functions described in the following.

- ① **Fuse (30 A x 3)**
NOTE
If you can't find the specified capacity fuse at your store etc., consult your Kenwood dealer.
- ② **Battery terminal (POWER IN BATT.)**
- ③ **Power control terminal (P.CON)**
Controls the unit ON/OFF.
- NOTE**
Controls the unit power. Be sure to connect it with all the systems.
- ④ **Ground terminal (GND)**
- ⑤ **SPEAKER OUTPUT terminals (A.ch/B.ch)**
 - **Stereo connections:**
When you wish to use the unit as a stereo amplifier, stereo connections are used. The speakers to be connected should have an impedance of 2Ω or greater. When multiple speakers are to be connected, ensure that the combined impedance is 2Ω or greater for each channel.
 - **Bridged connections:**
When you wish to use the unit as a high-output amplifier, bridged connections are used. (Make connections to the LEFT channel ⊕ and the RIGHT channel ⊖ SPEAKER OUTPUT terminals.)
The speakers to be connected should have an impedance of 4Ω or greater. When multiple speakers are to be connected, ensure that the combined impedance is 4Ω or greater.
 - ⑥ **SPEAKER OUTPUT terminals (SUB)**
As this unit accepts speakers with a minimum impedance of 2 ohms, connect speakers with 2-ohm or higher impedance to these terminals.

- ⑦ **HPF FREQUENCY control (A.ch/B.ch)**
This control adjusts the frequency band output from this unit.
- ⑧ **FILTER switch (A.ch/B.ch)**
This switch allow filtering of the speaker output signals.
 - **HPF (High Pass Filter) position:**
The filter outputs the band of higher frequencies than the frequency set with the "HPF FREQUENCY" control.
 - **OFF position:**
The entire bandwidth is output without filtering.
- ⑨ **LPF FREQUENCY control (SUB)**
This control adjusts the frequency band output from this unit.
- ⑩ **BASS BOOST LEVEL control (SUB)**
Controls the low frequency level to be compensated.
- ⑪ **INPUT SENSITIVITY control (A.ch/B.ch/SUB)**
Set this control according to the pre-output level of the center unit connected with this unit.
- NOTE**
For the pre-output level, refer to the <Specifications> in the instruction manual of the center unit.
- ⑫ **INPUT SELECTOR switch**
Set this switch according to the connection with this unit.
 - **A B position:**
Select "A B" when there is no connection to the SUB input. SUB output signal is created by this unit.
 - **SUB position:**
Select "SUB" when there is connection to the SUB input.
- ⑬ **LINE IN terminal (A.ch/B.ch/SUB)**
- ⑭ **Power indicator**
When the power is turned on, the Power indicator lights.

本机为机体内装载有2个立体声和1个单声道放大器的5声道放大器。这2个放大器之中一个称为A，另一个则称为B。单声道放大器称为SUB。如下所记，可以对对应开关切换操作及各种功能组合系统。

- ① **保险丝 (30 A x 3)**
注
万一在销售店等找不到指定容量的保险丝的话,请与建伍专销公司联系。
- ② **POWER IN BATT. (蓄电池) 端子**
- ③ **P.CON (电源控制) 端子**
控制本机的接通/关闭。
- 注**
控制本机电源。 务必必与全部系统连接。
- ④ **GND (接地) 端子**
- ⑤ **SPEAKER OUTPUT (扬声器输出) 端子 (A.ch/B.ch)**
 - **立体声连接端子:**
当您希望本机作为立体声放大器时, 必须使用立体声连接端子。所连接的扬声器的阻抗必须为 2 欧姆或更高。当多个扬声器被连接时, 必须保证每声道的综合阻抗大于或等于 2 欧姆。
 - **桥接连接端子:**
当您希望本机作为大功率放大器使用时, 可以进行桥接连接。(连接LEFT声道 ⊕、RIGHT声道 ⊖ 及SPEAKER OUTPUT 端子) 所连接的扬声器的阻抗必须为 4 欧姆或更高。当多个扬声器被连接时, 必须保证每声道的综合阻抗大于或等于 4 欧姆。
- ⑥ **SPEAKER OUTPUT (扬声器输出) 端子 (SUB)**
本机只适用于 2 欧姆以上的阻抗。故请连接的扬声器的阻抗亦为 2 欧姆以上。
- ⑦ **HPF FREQUENCY (高通滤波频率) 控制 (A.ch/B.ch)**
可以调节本机的输出频带。
- ⑧ **FILTER (滤波器) 开关 (A.ch/B.ch)**
些开关可以过滤扬声器的输出信号。

- **HPF (高通滤波器) 位置:**
滤波器将输出高于 "HPF FREQUENCY" 控制设定值的波段。
 - **OFF (关闭) 位置:**
滤波器将不进行任何滤波处理, 输出整个波段。
- ⑨ **LPF FREQUENCY (低通滤波频率) 控制 (SUB)**
可以调节本机的输出频带。
 - ⑩ **BASS BOOST LEVEL (低音提升) 控制 (SUB)**
设定进行提升的低频范围电平。
 - ⑪ **INPUT SENSITIVITY (输入灵敏度) 控制 (A.ch/B.ch/SUB)**
根据与本放大器连接的中央装置的前置输出电平调节本控制钮。

- 注**
关于中心装置的前置输出电平, 请参考其使用说明书。
- ⑫ **INPUT SELECTOR (输入选择) 开关**
请根据本机的连接情况设置开关。
 - **A、B 位置:**
在SUB输入没有连接时选择 "AB"。 SUB输出信号由本机创建。
 - **SUB 位置:**
在SUB输入有连接时选择 "SUB"。
- ⑬ **LINE IN (线输入) 端子 (A.ch/B.ch/SUB)**
- ⑭ **电源指示灯**
当电源打开时, 电源指示灯点亮。

- ⑬ **LINE IN terminal (A.ch/B.ch/SUB)**
- ⑭ **Power indicator**
When the power is turned on, the Power indicator lights.

产品中有害物质的名称及含量

部件名称	有害物质					
	铅 (Pb)	汞 (Hg)	镉 (Cd)	六价铬 (Cr(VI))	多溴联苯 (PBB)	多溴二苯醚 (PBDE)
安装基板	×	○	○	×	○	○
框架	×	○	○	×	○	○
电缆类	×	○	○	×	○	○
其他 (附件)	×	○	○	×	○	○

本表格依据 SJ/T 11364 的规定编制。
○: 表示该有害物质在该部件所有均质材料中的含量均在 GB/T26572 规定的限量要求以下。
×: 表示该有害物质至少在该部件的某一均质材料中的含量超出 GB/T26572 规定的限量要求。

- 此图标表示了中国《电子信息产品污染控制管理办法》规定的环保使用期限。只要用户在使用本产品时遵守注意事项中的各项规定, 从制造日期开始到此图标标出的期限为止 (环保使用期限) 既不会污染环境也不会产生对人体有害的物质。(不同产品中包含的附件和消耗性零件也不相同。)
 - 附件和消耗性零件的环保使用期限如下所示:
- 环保使用期限
- 电缆类、遥控器、麦克风、天线、蓝牙适配器: 10 年

Troubleshooting guide

What might appear to be a malfunction in your unit may just be the result of slight misoperation or miswiring. Before calling service, first check the following table for possible problems.

PROBLEM	POSSIBLE CAUSE	SOLUTION
No sound. (No sound from one side.) (Blown fuse.)	<ul style="list-style-type: none">• Input (or output) cables are disconnected.• Protection circuit may be activated.• Volume is too high.• The speaker cord is shorted.	<ul style="list-style-type: none">• Connect the input (or output) cables.• Check connections by referring to <Protection function>.• Replace the fuse and use lower volume.• After check the speaker cord and fixing the cause of the short, replace the fuse.
The output level is too small (or too large).	<ul style="list-style-type: none">• The input sensitivity adjusting control is not set to the correct position.	<ul style="list-style-type: none">• Adjust the control correctly referring to <Controls>.
The sound quality is bad. (The sound is distorted.)	<ul style="list-style-type: none">• The speakers wire are connected with wrong ⊕/⊖ polarity.• A speaker wire is pinched by a screw in the car body.• The switches may be set improperly.	<ul style="list-style-type: none">• Connect them properly checking the ⊕/⊖ of the terminals and wires well.• Connect the speaker wire again so that it is not pinched by anything.• Set switches properly by referring to <Controls>.

故障检修

有时被认为是故障的现象, 其实是因微小的操作或配线失误而造成。在要求维修之前, 请参照下表稍微检查为盼。

现象	原因	排除方法
没有声音 (保险丝熔断)	<ul style="list-style-type: none">• 输入 (或输出) 缆线未连接。• 保护线路可能被触发。• 音量过大。• 扬声器电线短路。	<ul style="list-style-type: none">• 连接输入 (或输出) 缆线。• 参考 <保护功能> 一节, 检查连接状况。• 请更换保险丝, 减小音量。• 确认扬声器线, 解除短路原因后, 更换保险丝。
输出电平过低 (或过高)	<ul style="list-style-type: none">• 输入灵敏度调节不当, 没有位于妥当位置。	<ul style="list-style-type: none">• 调节控制装置, 请参考 <控制>。
声音质量很差 (声音失真)	<ul style="list-style-type: none">• 扬声器缆线的极性 ⊕/⊖ 连接错误。• 扬声器缆线的一根被车体螺钉压迫。• 开关的设置可能不妥。	<ul style="list-style-type: none">• 请将缆线的极性 ⊕/⊖ 连接正确。• 重新连接缆线, 使之不再受螺钉压迫。• 请参考 <控制>, 将开关正确设置。

Specifications

Specifications subject to change without notice.

Audio section	General
Rated power output (+8 = 14.4V)	Operating voltage.....14.4 V (11 - 16 V allowable)
Stereo (4 Ω) + SUB	Current consumption58 A
.....50 W × 4 (20 Hz - 20 kHz, ≤ 1.0 % THD) + 300 W (20 Hz - 200 Hz, 0.5 % THD)	Dimensions (W × H × D).....229 × 55 × 187 mm
Stereo (2 Ω) + SUB.....75 W × 4 (1 kHz, ≤ 1.0 % THD) + 500 W (100 Hz, 0.5 % THD)	Weight2.0 kg
Bridged (4 Ω) + SUB.....150 W × 2 (1 kHz, ≤ 1.0 % THD) + 300 W (20 Hz - 200 Hz, ≤ 0.5 % THD)	
Speaker impedance.....4 Ω (2 Ω to 8 Ω allowable) (Bridged connection: 4 Ω to 8 Ω allowable)	
Frequency Response (+0, -3 dB).....20 Hz - 50 kHz (+0, -3 dB).....20 Hz - 200 Hz (SUB)	
Input sensitivity (RCA).....0.2 V - 5.0 V	
Signal to noise ratio.....100 dB	
Input impedance.....10 kΩ	
Low pass filter frequency (-24 dB/oct.) (SUB).....50 Hz - 200 Hz (variable)	
High pass filter frequency (-12 dB/oct.) (A.ch/B.ch).....50 Hz - 200 Hz (variable)	
Bass Boost Control (40 Hz) (SUB).....0 - +18 dB (variable)	

规格

规格可能会变更, 恕不另行通知。

音频部	共同
额定输出功率 (+8 = 14.4V)	使用电压.....14.4 V (允许 11 - 16 V)
立体声 (4 Ω) + SUB	消耗电流58 A
.....50 W × 4 (20 Hz - 20 kHz, ≤ 1.0 % THD) + 300 W (20 Hz - 200 Hz, ≤ 0.5 % THD)	安装尺寸 (宽×高×深)229 × 55 × 187 mm
立体声 (2 Ω) + SUB.....75 W × 4 (1 kHz, ≤ 1.0 % THD) + 500 W (100 Hz, ≤ 0.5 % THD)	重量2.0 kg
Bridged connection (4 Ω) + SUB.....150 W × 2 (1 kHz, ≤ 1.0 % THD) + 300 W (20 Hz - 200 Hz, ≤ 0.5 % THD)	
扬声器阻抗.....4 Ω (2 Ω - 8 Ω 允许) (桥接连接: 4 Ω - 8 Ω 允许)	
频率响应 (+0, -3 dB).....20 Hz - 50 kHz (+0, -3 dB).....20 Hz - 200 Hz (SUB)	
灵敏度 (RCA).....0.2 V - 5.0 V	
信噪比.....100 dB	
输入阻抗.....10 kΩ	
低通滤波器过频率 (-24 dB/oct.) (SUB).....50 Hz - 200 Hz (可变)	
高通滤波器过频率 (-12 dB/oct.) (A.ch/B.ch).....50 Hz - 200 Hz (可变)	
低音增强控制 (40 Hz) (SUB).....0 - +18 dB (可变)	