

KENWOOD

XR-1S KAC-X1D

MONO DIGITAL POWER AMPLIFIER ▶ page 2-13

INSTRUCTION MANUAL

AMPLIFICATEUR MONO NUMÉRIQUE ▶ page 14-25

MODE D'EMPLOI

AMPLIFICADOR DE POTENCIA DIGITAL MONOFÓNICO ▶ página 26-36

MANUAL DE INSTRUCCIONES

Kenwood Corporation

Take the time to read through this instruction manual.

Familiarity with installation and operation procedures will help you obtain the best performance from your new power amplifier.

For your records

Record the serial number, found on the back of the unit, in the spaces designated on the warranty card, and in the space provided below. Refer to the model and serial numbers whenever you call upon your Kenwood dealer for information or service on the product.

Model XR-1S/KAC-X1D Serial number _____

US Residence Only

Register Online

Register your Kenwood product at
www.Kenwoodusa.com

Safety precautions

▲ WARNING

To prevent injury or fire, take the following precautions:

- Mounting and wiring this product requires skills and experience. For safety's sake, leave the mounting and wiring work to professionals.
- When extending the ignition, battery, or ground wires, make sure to use automotive-grade wires or other wires with the range of 14 mm² (AWG 6) to 21 mm² (AWG 4) to prevent wire deterioration and damage to the wire coating.
- To prevent a short circuit, never put or leave any metallic objects (such as coins or metal tools) inside the unit.
- If the unit starts to emit smoke or strange smells, turn off the power immediately and consult your Kenwood dealer.
- Do not touch the unit during use because the surface of the unit becomes hot and may cause burns if touched.

▲ CAUTION

To prevent damage to the machine, take the following precautions:

- Be sure the unit is connected to a 12V DC power supply with a negative ground connection.
- Do not open the top or bottom covers of the unit.
- Do not install the unit in a spot exposed to direct sunlight or excessive heat or humidity. Also avoid places with too much dust or the possibility of water splashing.
- When replacing a fuse, only use a new one with the prescribed rating. Using a fuse with the wrong rating may cause your unit to malfunction.
- To prevent a short circuit when replacing a fuse, first disconnect the wiring harness.

NOTE

- If you experience problems during installation, consult your Kenwood dealer.
- If the unit does not seem to be working right, consult your Kenwood dealer.

FCC WARNING

This equipment may generate or use radio frequency energy. Changes or modifications to this equipment may cause harmful interference unless the modifications are expressly approved in the instruction manual. The user could lose the authority to operate this equipment if an unauthorized change or modification is made.

FCC NOTE

This equipment has been tested and found to comply with the limits for a Class B digital device, pursuant to Part 15 of the FCC Rules. These limits are designed to provide reasonable protection against harmful interference in a residential installation. This equipment may cause harmful interference to radio communications, if it is not installed and used in accordance with the instructions. However, there is no guarantee that interference will not occur in a particular installation. If this equipment does cause harmful interference to radio or television reception, which can be determined by turning the equipment off and on, the user is encouraged to try to correct the interference by one or more of the following measures:

- Reorient or relocate the receiving antenna.
- Increase the separation between the equipment and receiver.
- Connect the equipment into an outlet on a circuit different from that to which the receiver is connected.
- Consult the dealer or an experienced radio/TV technician for help.

NOTE

This Class B digital apparatus complies with Canadian ICES-003.

CE Declaration of Conformity with regard to the EMC Directive 2004/108/EC

Manufacturer:

Kenwood Corporation
2967-3 Ishikawa-machi, Hachioji-shi, Tokyo,
192-8525 Japan

EU Representative's:

Kenwood Electronics Europe BV
Amsterdamseweg 37, 1422 AC UITHOORN,
The Netherlands

Information on Disposal of Old Electrical and Electronic Equipment (applicable for EU countries that have adopted separate waste collection systems)



Products with the symbol (crossed-out wheeled bin) cannot be disposed as household waste.

Old electrical and electronic equipment should be recycled at a facility capable of handling these items and their waste byproducts. Contact your local authority for details in locating a recycle facility nearest to you. Proper recycling and waste disposal will help conserve resources whilst preventing detrimental effects on our health and the environment.

This Product is not installed by the manufacturer of a vehicle on the production line, nor by the professional importer of a vehicle into an EU Member State.

Cleaning the unit

If the front panel gets dirty, turn off the power and wipe the panel with a dry silicon cloth or soft cloth.

▲ CAUTION

Do not wipe the panel with a hard cloth or a cloth dampened by volatile solvents such as paint thinner and alcohol. They can scratch the surface of the panel and/or cause the indicator letters to peel off.

To prevent battery rise

When the unit is used in the ACC ON position without turning the engine ON, it depletes the battery. Use it after starting the engine.

Protection function

The protection function is activated in the following situations:

This unit is equipped with a protection function for protecting this unit and your speakers from various accidents or problems that can occur.

When the protection function is triggered, the PROTECTION indicator lights and the amplifier stops operating.

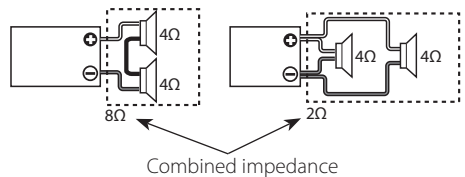
- When a speaker wire may be short-circuited.
- When a speaker output contacts ground.
- When the unit malfunctions and a DC signal is sent to the speaker output.

■ Wiring

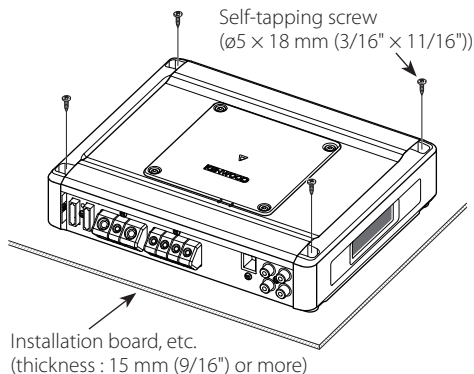
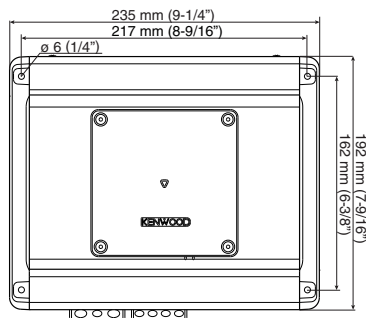
- Take the battery wire for this unit directly from the battery. If it's connected to the vehicle's wiring harness, it can cause blown fuses etc.
- If a buzzing noise is heard from the speakers when the engine is running, connect a line noise filter (optional) to each of the battery wire.
- Do not allow the wire to directly contact the edge of the iron plate by using Grommets.
- Connect the ground wire to a metal part of the car chassis that acts as an electrical ground passing electricity to the battery's negative \ominus terminal. Do not turn the power on if the ground wire is not connected.
- Be sure to install a protective fuse in the power cord near the battery. The protective fuse should be the same capacity as the unit's fuse capacity or somewhat larger.
- For the power cord and ground, use a vehicle type (fireproof) power wiring cord with a current capacity greater than the unit's fuse capacity. (Use a power wiring cord with the range of 14 mm² (AWG 6) to 21 mm² (AWG 4).
- When more than one power amplifier are going to be used, use a power supply wiring wire and protective fuse of greater current-handling capacity than the total maximum current drawn by each amplifier.

■ Speaker Selection

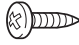



- The rated input power of the speakers that are going to be connected should be greater than the maximum output power (in Watts) of the amplifier. Use of speakers having input power ratings that are less than the output power of the amplifier will cause smoke to be emitted as well as damage.
- The impedance of the speakers that are going to be connected should be 2Ω or greater (for stereo connections), or 4Ω or greater (for bridged connections). When more than one set of speakers are going to be used, calculate the combined impedance of the speakers and then connect suitable speakers to the amplifier.



Installation



■ Accessories

Part name	External View	Number of Items
Self-tapping screws ($\varnothing 5 \times 18 \text{ mm}$ (3/16" \times 11/16"))		4
Hexagon Wrench (Large)		1
Hexagon Wrench (Small)		1
Terminal cover (Power terminal)		1

■ Installation procedure

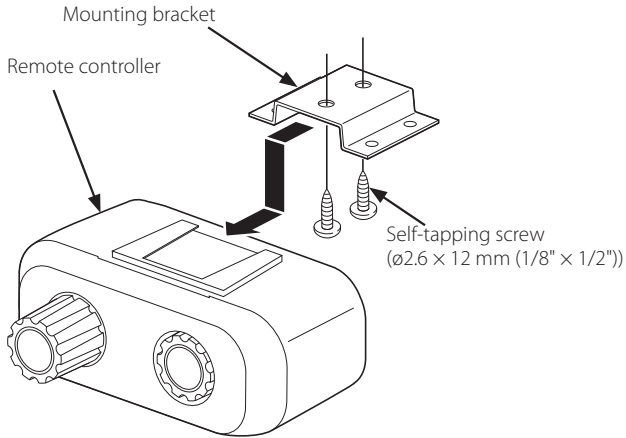
Since there are large variety of settings and connections possible according to applications, read the instruction manual well to select the proper setting and connection.

1. Remove the ignition key and disconnect the negative \ominus terminal of the battery to prevent short circuits.
2. Set the unit according to the intended usage.
3. Connect the input and output wires of the units.
4. Connect the speaker wires.
5. Connect the power wire, power control wire and grounding wire following this order.
6. Install the installation fittings in the unit.
7. Attach the unit.
8. Install the remote controller.
9. Connect the negative \ominus terminal of the battery.


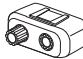


▲ CAUTION

- Do not install in the below locations; (Unstable location, In a location that interferes with driving, In a location that gets wet, In a dusty location, In a place that gets hot, In a place that gets direct sunlight, In a location that gets hit by hot air)
- Do not install the unit under the carpet. Otherwise heat build-up occurs and the unit may be damaged.
- Install this unit in a location which allows heat to easily dissipate. Once installed, do not place any object on top of the unit.
- The surface temperature of the amplifier will become hot during use. Install the amplifier in a place where people, resins, and other substances that are sensitive to heat will not come into contact with it.
- This unit has cooling fan to decrease the internal temperature. Do not mount the unit in a place where the cooling fan and ducts of the unit are blocked. Blocking these openings will inhibit the cooling of the internal temperature and result in malfunction.
- When making a hole under a seat, inside the trunk, or somewhere else in the vehicle, check that there is nothing hazardous on the opposite side such as a gasoline tank, brake pipe, or wiring harness, and be careful not to cause scratches or other damage.
- Do not install near the dashboard, rear tray, or air bag safety parts.
- The installation to the vehicle should securely fasten the unit to a place in which it will not obstruct driving. If the unit comes off due to a shock and hits a person or safety part, it may cause injury or an accident.
- After installing the unit, check to make sure that electrical equipment such as the brake lamps, turn signal lamps and windshield wipers operate normally.

■ Remote controller (Accessory of KAC-X1D, Optional accessory for XR-1S.)



■ Accessories

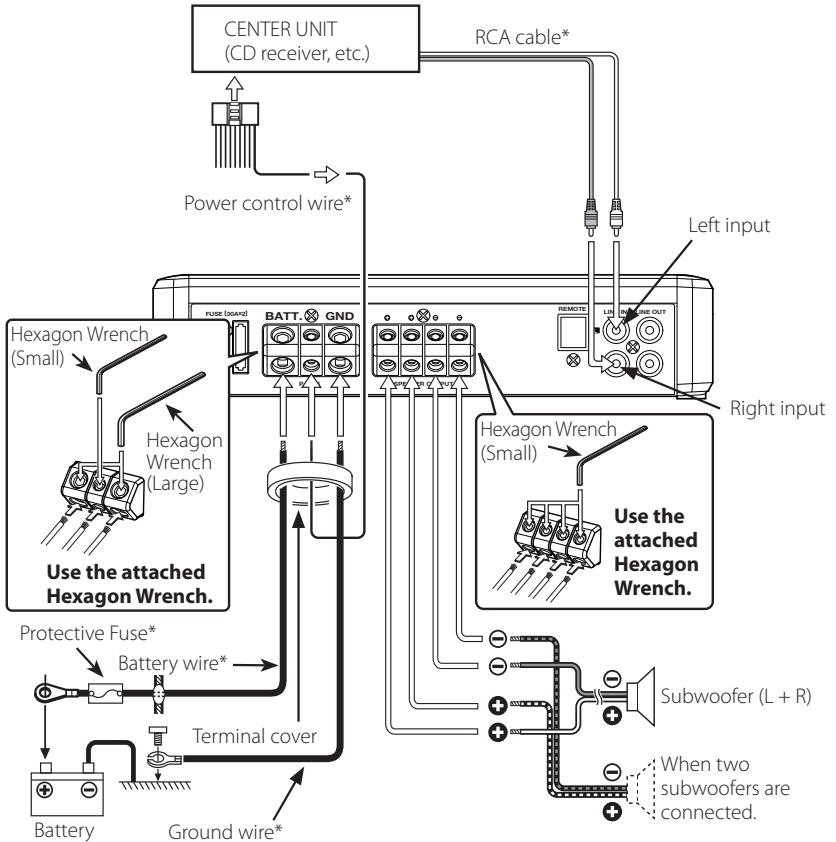
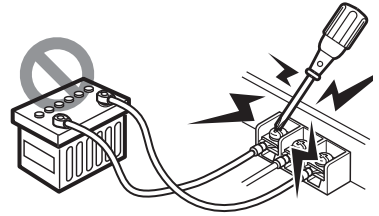
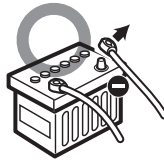
Part name	External View	Number of Items
Remote cable (6.0 m : 19.7 ft)		1
Remote controller		1
Mounting bracket		1
Self-tapping screws (ø2.6 x 12 mm (1/8" x 1/2"))		2

Connection

* Commercially available parts

⚠ WARNING

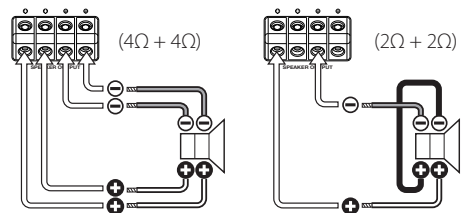
Remove the ignition key and disconnect the negative \ominus terminal of the battery to prevent short circuits.



⚠ WARNING

- To prevent fire caused by a short in the wiring, connect a fusible link or breaker nearby the battery's positive terminal.

Dual voice coil subwoofer



▲ CAUTION

- If sound is not output normally, immediately turn power off and check connections.
- Be sure to turn the power off before changing the setting of any switch.
- If the fuse blows, check wires for shorts, then replace the fuse with one of the same rating.
- Check that no unconnected wires or connectors are touching the car body. Do not remove caps from unconnected wires or connectors to prevent short circuits.
- Connect the speaker wires to appropriate speaker connectors separately. Sharing the negative wire of the speaker or grounding speaker wires to the metal body of the car can cause this unit to fail.
- After installation, check that the brake lamps, wipers, and wipers work properly.

■ About the Lead Terminals

1. Wire Thicknesses

You can use wires with the following thicknesses:

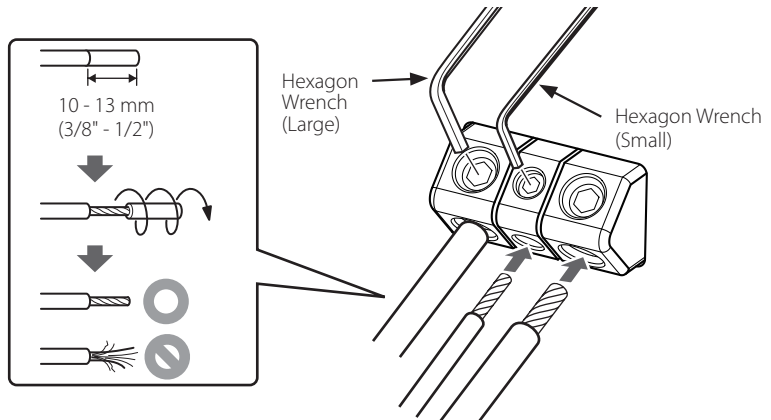
Battery wire and ground wire	AWG 4 – AWG 6
Speaker wire	AWG 8 – AWG 12

2. Strip the wire

Make a cut in the wire sheath (insulator made from vinyl, etc.) at the position 10-13 mm (3/8" - 1/2") away from the end of the wire, and then remove the unnecessary portion of the sheath by twisting it.

3. Install the wire

Loosen the screw using the supplied hexagon wrench. Insert the conductor of the wire in the terminal hole, and then tighten the screw.

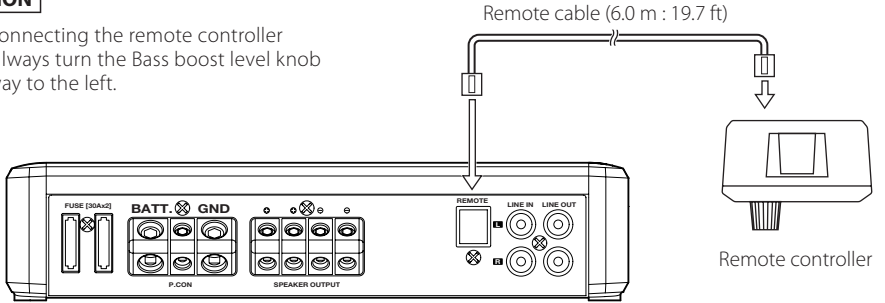


Connection

■ Remote cable connection (Accessory of KAC-X1D, Optional accessory for XR-15.)

⚠ CAUTION

- Before connecting the remote controller cables, always turn the Bass boost level knob all the way to the left.



Multi Amplifier with Remote cable connection (Accessory of KAC-X1D, Optional accessory for XR-1S.)

CAUTION

- Before connecting the remote controller cables, always turn the Bass boost level knob all the way to the left.

You can control the Bass boost level of the second and subsequent Slave amplifiers simultaneously from the Master amplifier.

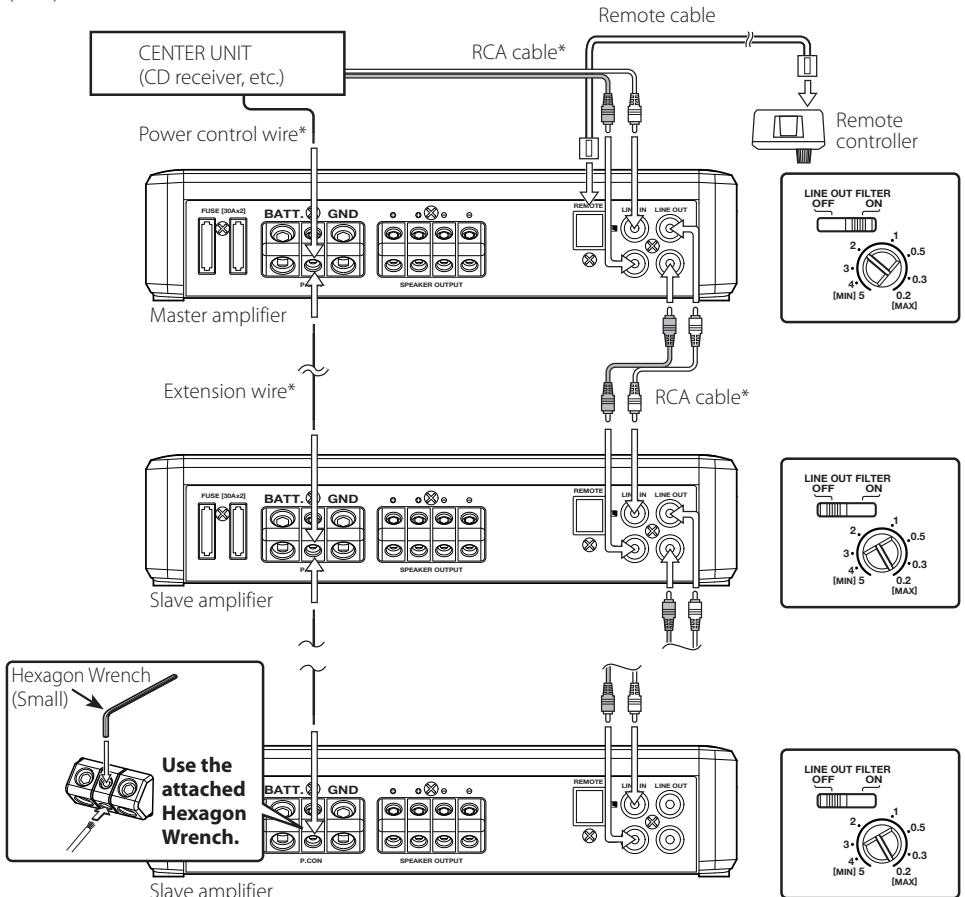
The volume level of each amplifier is determined by the setting of the Master amplifier (INPUT SENSITIVITY, boost level of the remote controller).

Setting the Master amplifier

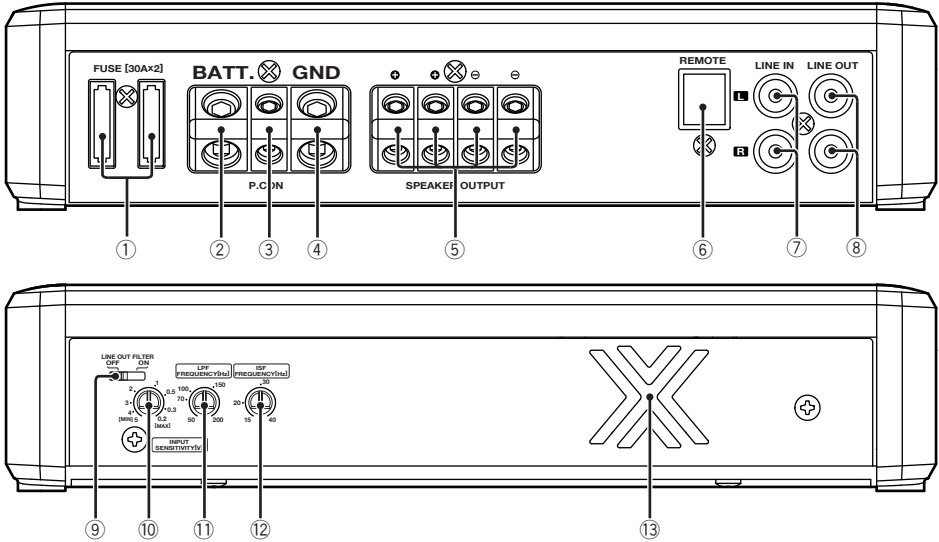
1. Adjust the INPUT SENSITIVITY to the output of the center unit to be connected.
2. Set the LPF frequency and ISF.
3. Turn the LINE OUT FILTER switch ON.

Setting the Slave amplifier

1. Turn the LINE OUT FILTER switch OFF.
 2. Adjust the INPUT SENSITIVITY.
- To adjust the Slave amplifier to the same volume as the Master amplifier, adjust the INPUT SENSITIVITY to 0.2 V (max.).



Controls



① Fuse (30 A × 2)

NOTE

If you can't find the specified capacity fuse at your store etc., consult your Kenwood dealer.

② Battery terminal

③ Power control terminal

Controls the unit ON/OFF.

NOTE

Controls the unit power. Be sure to connect it with all the systems.

④ Ground terminal

⑤ Speaker output terminals

As this unit accepts speakers with a minimum impedance of 2 ohm, connect speakers with 2-ohm or higher impedance to these terminals.

⑥ REMOTE terminal

Connects the Remote cable.

NOTE

Use the Remote cable of the accessory.

⑦ LINE IN terminal

⑧ LINE OUT terminal

The audio signal set with the LINE OUT FILTER switch will be output.

⑨ LINE OUT FILTER switch

Changing over the audio signal output to the LINE OUT terminal.

ON position:

The audio signal adjusted when setting LPF, INPUT SENSIVITY control and Bass boost is output to the LINE OUT terminal.

OFF position:

The audio signal input from the LINE IN terminal is output to the LINE OUT terminal (through output).

⚠ CAUTION

The volume of the audio output to the LINE OUT terminal is different in ON and OFF position. Remember this when changing the LINE OUT FILTER switch from ON to OFF.

⑩ INPUT SENSITIVITY control

Set this control according to the pre-output level of the center unit connected with this unit.

NOTE

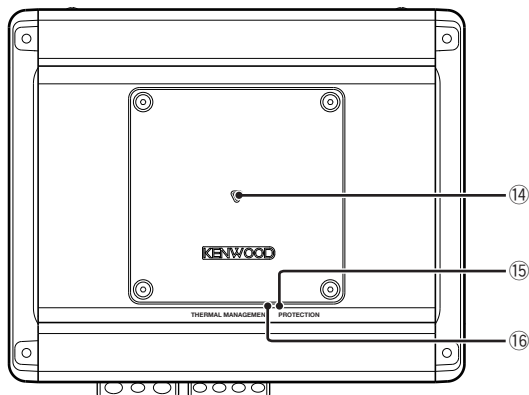
For the pre-output level, refer to the <Specifications> in the instruction manual of the center unit.

⑪ LPF(Low-Pass Filter) FREQUENCY control

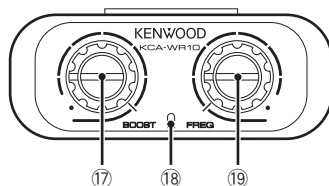
This control adjusts the frequency band output from this unit.

⑫ ISF (infrasonic filter) control

Ultralow frequencies that cannot be reproduced even by a subwoofer speaker do not become sound but become unnecessary oscillations,



Remote controller (Accessory of KAC-X1D, Optional accessory for XR-1S.)



which affect the sound by causing distortion, etc. Setting this control cuts the frequencies below the respective frequency. This improves the reproduction performance of the speakers by eliminating unnecessary oscillations which will not become sound.

- ⑬ **Cooling fan**
- ⑭ **Power indicator**
When the power is turned on, the Power indicator lights.
- ⑮ **PROTECTION indicator**
Lights this indicator when the protection function is activated. (See page 3)
- ⑯ **THERMAL MANAGEMENT indicator**
Lights this indicator when the internal temperature is high.
- ⑰ **BOOST LEVEL (Bass boost level) control**
Sets the level by which the low frequency range should be boosted.
- ⑱ **Power indicator**
- ⑲ **FREQUENCY (Bass boost frequency) control**
Sets the center frequency around which the low frequency range should be boosted.

Troubleshooting Guide

What might appear to be a malfunction in your unit may just be the result of slight misoperation or miswiring. Before calling service, first check the following table for possible problems.

PROBLEM	POSSIBLE CAUSE	SOLUTION
No sound. (No sound from one side.) (Blown fuse.)	<ul style="list-style-type: none"> • Input (or output) cables are disconnected. • Protection circuit may be activated. • Volume is too high. • The speaker cord is shorted. 	<ul style="list-style-type: none"> • Connect the input (or output) cables. • Check connections by referring to <Protection function>. • Replace the fuse and use lower volume. • After check the speaker cord and fixing the cause of the short, replace the fuse.
The output level is too small (or too large).	<ul style="list-style-type: none"> • The input sensitivity adjusting control is not set to the correct position. 	<ul style="list-style-type: none"> • Adjust the control correctly referring to <Controls>.
The sound quality is bad. (The sound is distorted.)	<ul style="list-style-type: none"> • The speakers wire are connected with wrong \oplus/\ominus polarity. • A speaker wire is pinched by a screw in the car body. • The switches may be set improperly. 	<ul style="list-style-type: none"> • Connect them properly checking the \oplus/\ominus of the terminals and wires well. • Connect the speaker wire again so that it is not pinched by anything. • Set switches properly by referring to <System examples>.
The Remote Controller does not function.	<ul style="list-style-type: none"> • The Remote Cable is disconnected. 	<ul style="list-style-type: none"> • Connect the Remote Cable securely and correctly.

Précautions de sécurité

▲ AVERTISSEMENT

Pour éviter toute blessure et/ou incendie, veuillez prendre les précautions suivantes:

- Le montage et le câblage de ce produit nécessite des compétences et de l'expérience. Pour des raisons de sécurité, laissez un professionnel effectuer le travail de montage et de câblage.
- Si vous prolongez un câble de batterie ou de masse, assurez vous d'utiliser un câble pour automobile ou un câble compris entre 14 mm² (AWG 6) et 21 mm² (AWG 4) afin d'éviter tout risque de détérioration ou d'endommagement du revêtement des câbles.
- Pour éviter les court-circuits, ne jamais mettre ou laisser d'objets métalliques (comme une pièce de monnaie ou un outil en métal) à l'intérieur de l'appareil.
- Si l'appareil commence à émettre de la fumée ou une odeur bizarre, mettez immédiatement l'appareil hors tension et consultez un revendeur Kenwood.
- Ne pas toucher l'appareil quand il est en service car la température de sa surface est suffisamment élevée pour provoquer des brûlures.

▲ ATTENTION

Pour éviter tout dommage à l'appareil, veuillez prendre les précautions suivantes:

- Bien vérifier que l'appareil est raccordé à une source d'alimentation CC de 12 V avec raccordement de masse négative.
- N'ouvrez pas le couvercle supérieur ou inférieur de l'appareil.
- N'installez pas l'appareil dans un endroit exposé directement à la lumière du soleil, à une chaleur excessive ou à l'humidité. Evitez aussi les endroits trop poussiéreux et où l'appareil risque d'être éclaboussé.
- Lors du remplacement d'un fusible, utilisez seulement un fusible neuf avec la valeur indiquée. L'utilisation d'un fusible d'une valeur différente peut être la cause d'un mauvais fonctionnement de votre appareil.
- Pour éviter les courts-circuits lors du remplacement d'un fusible, déconnectez d'abord le faisceau de câbles.

REMARQUE

- Si vous rencontrez des problèmes pendant l'installation, consultez votre revendeur Kenwood.
- Si l'appareil semble ne pas fonctionner correctement, consultez votre revendeur Kenwood.

REMARQUE

Cet appareil numérique de la classe B est conforme à la norme NMB-003 du Canada.

CE Déclaration de conformité se rapportant à la directive EMC 2004/108/EC

Fabricant :

Kenwood Corporation
2967-3 Ishikawa-machi, Hachioji-shi, Tokyo, 192-8525 Japon

Représentants dans l'UE :

Kenwood Electronics Europe BV
Amsterdamseweg 37, 1422 AC UITHOORN,
Pays-Bas

Information sur l'élimination des anciens équipements électriques et électroniques (applicable dans les pays de l'Union Européenne qui ont adopté des systèmes de collecte sélective)



Les produits sur lesquels le pictogramme (poubelle barrée) est apposé ne peuvent pas être éliminés comme ordures ménagères.

Les anciens équipements électriques et électroniques doivent être recyclés sur des sites capables de traiter ces produits et leurs déchets. Contactez vos autorités locales pour connaître le site de recyclage le plus proche. Un recyclage adapté et l'élimination des déchets aideront à conserver les ressources et à nous préserver des leurs effets nocifs sur notre santé et sur l'environnement.

Ce produit n'est pas installé par le constructeur d'un véhicule sur le site de production, ni par l'importateur professionnel d'un véhicule dans un Etat membre de l'UE.

Nettoyage de l'appareil

Si la surface de l'appareil sale, l'essuyer avec un chiffon au silicone ou un chiffon doux et sec après avoir éteint l'appareil.

▲ ATTENTION

N'essayez pas le panneau avec un tissu rugueux ou imprégné de dissolvant volatil comme un diluant à peinture ou de l'alcool. Il pourrait rayer la surface du panneau et/ou écailler les lettres d'informations.

Comment éviter une élévation de la batterie

Lorsque l'unité est utilisée avec l'ACC sur ON, sans que le moteur ne soit allumé, cela décharge la batterie. Il est préférable de l'utiliser après avoir allumé le moteur.

Fonction de protection

La fonction de protection se met en service dans les cas suivants:

Cet appareil est pourvu d'une fonction de protection de l'appareil lui-même et des haut-parleurs de manière à éviter divers incidents.

Lorsque la fonction de protection s'active, l'indicateur PROTECTION s'allume et l'amplificateur s'arrête.

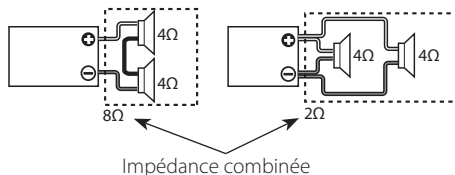
- Si un cordon de liaison aux haut-parleurs est en court-circuit.
- Une sortie de haut-parleur est mise à la masse.
- Une tension continue est appliquée sur les sorties vers les haut-parleurs en raison d'un défaut de fonctionnement de l'appareil.

■ Câblage

- Pour cette unité, brancher le cordon de la batterie directement à la batterie. Si celui-ci est connecté à l'installation électrique du véhicule, l'installation peut disjoncter etc.
- Si un ronronnement se fait entendre dans les haut-parleurs lorsque le moteur tourne, fixer un filtre antiparasite de ligne (en option) au câble de la batterie.
- Utiliser un passe-câble de manière que le cordon ne soit pas en contact avec le tablier.
- Relier les fils de masse à une partie métallique du châssis du véhicule qui soit en mesure de jouer le rôle de masse électrique et donc de laisser passer le courant vers le pôle négatif \ominus de la batterie. Ne pas mettre l'appareil sous tension si les fils de masse ne sont pas reliés.
- Assurez-vous de mettre en place un fusible protégeant le cordon d'alimentation situé près de la batterie. Ce fusible doit avoir un pouvoir de coupure égal ou légèrement supérieur à celui de l'unité.
- En ce qui concerne le cordon d'alimentation et la terre, il est conseillé d'utiliser un cordon d'alimentation électrique pour voiture (inflammable) dont l'intensité sera supérieure au pouvoir de coupure du fusible de l'unité. (Utiliser un cordon d'alimentation d'un diamètre compris entre 14 mm² (AWG 6) et 21 mm² (AWG 4).)
- Lorsque plus d'un amplificateur de puissance doivent être utilisés, utiliser un câble de câblage d'alimentation et un fusible de sécurité dont la limite de tension est supérieure au courant total maximum tiré par chaque amplificateur.

■ Sélection des haut-parleur

- La puissance d'entrée nominale des haut-parleur qui vont être connectées doit être supérieure à la puissance de sortie maximum (en Watts) de l'amplificateur. L'utilisation d'haut-parleur dont la puissance d'entrée nominale est inférieure à la puissance de sortie de l'amplificateur entraînera l'émission de fumée, ainsi que des dommages.
- Utiliser des haut-parleur dont l'impédance est de minimum 2Ω. Lorsque plus d'un jeu d'haut-parleur va être utilisé, calculer l'impédance combinée des haut-parleur et connecter ensuite les haut-parleur appropriées à l'amplificateur.



Installation

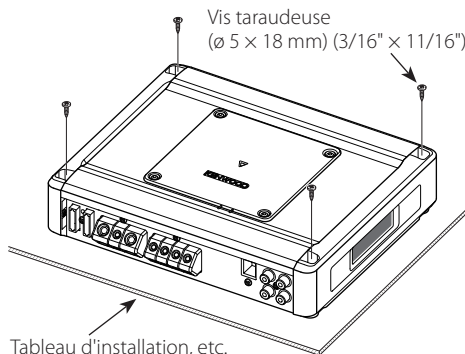
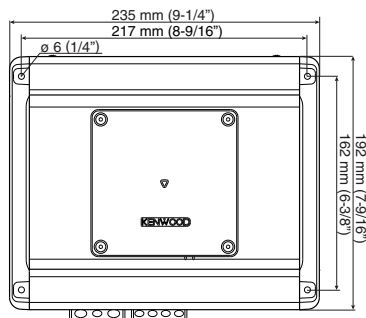






Tableau d'installation, etc.
(épaisseur: 15 mm (9/16") ou plus)

■ Accessoires

Nom de la pièce	Vue extérieure	Quantité
Vis taraudeuses (ø5 x 18 mm) (3/16" x 11/16")		4
Clé polygonale (grand)		1
Clé polygonale (petite)		1
Cache de bornier (Borne d'alimentation)		1

■ Procédure d'installation

Etant donné que le nombre de réglages et de raccordements est assez important, il importe de prendre pleinement connaissance du mode d'emploi.

- Retirer la clé de contact et débrancher la borne négative \ominus de la batterie pour éviter les courts-circuits.
- Régler l'appareil en fonction de l'utilisation désirée.
- Raccorder les câbles d'entrée et de sortie de l'appareil.
- Raccorder les câbles de haut-parleur.
- Relier, dans l'ordre, le câble d'alimentation, le câble de commande d'alimentation et le câble de masse.
- Mettre en place les accessoires d'installation sur l'unité.
- Brancher l'unité.
- Installez la télécommande.
- Raccorder la borne négative \ominus de la batterie.

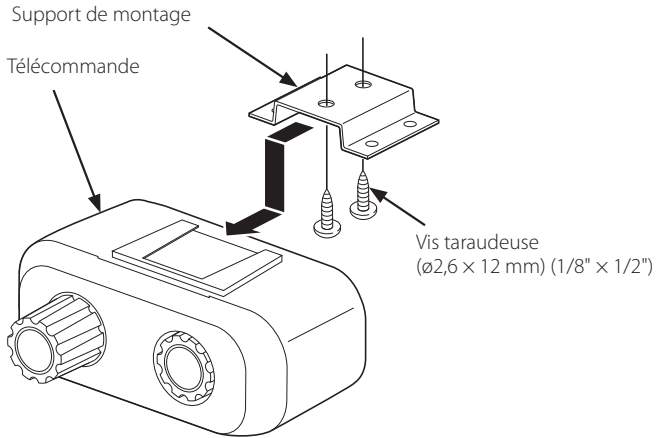
▲ ATTENTION

- Ne pas procéder à l'installation de l'appareil si vous vous trouvez dans l'un des lieux suivants : (Lieu instable, Lieu où la conduite du véhicule


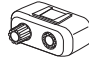

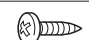
peut être gênée, Lieu exposé à l'humidité, Lieu exposé à la poussière, Lieu surchauffé, Lieu exposé directement à la lumière du jour, Lieu exposé à l'air chaud)

- Ne pas recouvrir l'appareil d'une nappe, tapis, etc; la chaleur qui s'accumulerait risque d'endommager l'appareil.
- Installer cet appareil à un emplacement tel que la chaleur puisse se dissiper aisément. Après l'installation, ne placer aucun objet sur l'appareil.
- La surface de l'amplificateur va chauffer pendant l'utilisation. Installer l'amplificateur à un endroit où des passagers, de la résine ou d'autres substances sensibles à la chaleur n'entreront pas en contact avec lui.
- Cette unité dispose d'un ventilateur de refroidissement permettant d'abaisser la température interne. Ne pas monter l'unité dans un endroit où le ventilateur de refroidissement et les conduites de l'unité sont bloquées. En effet, si la chaleur interne ne peut pas être éliminée par la ventilation de l'appareil, une anomalie de fonctionnement peut aisément survenir.
- Lors du forage d'un trou sous le siège, à l'intérieur du coffre ou partout ailleurs dans le véhicule, vérifier s'il n'y a pas d'élément dangereux de l'autre côté, tel qu'un réservoir à carburant, une conduite de frein, une gaine de câbles, et faire attention de ne pas faire de griffes ou d'autres dégâts.
- Ne pas l'installer près du tableau de bord, de la plage arrière ou d'éléments de sécurité de l'airbag.
- Lors de l'installation dans un véhicule, l'appareil doit être fermement fixé à un endroit où il ne gênera pas la conduite. Si l'appareil se détache suite à un choc et heurte quelqu'un ou un élément de sécurité, il peut occasionner des blessures ou un accident.
- Après installation de l'appareil, s'assurer que les différents équipements électriques tels que lampes frein et les clignotants de direction fonctionnent normalement.

■ Télécommande (Accessoire de KAC-X1D. Accessoire optionnel pour XR-1S.)

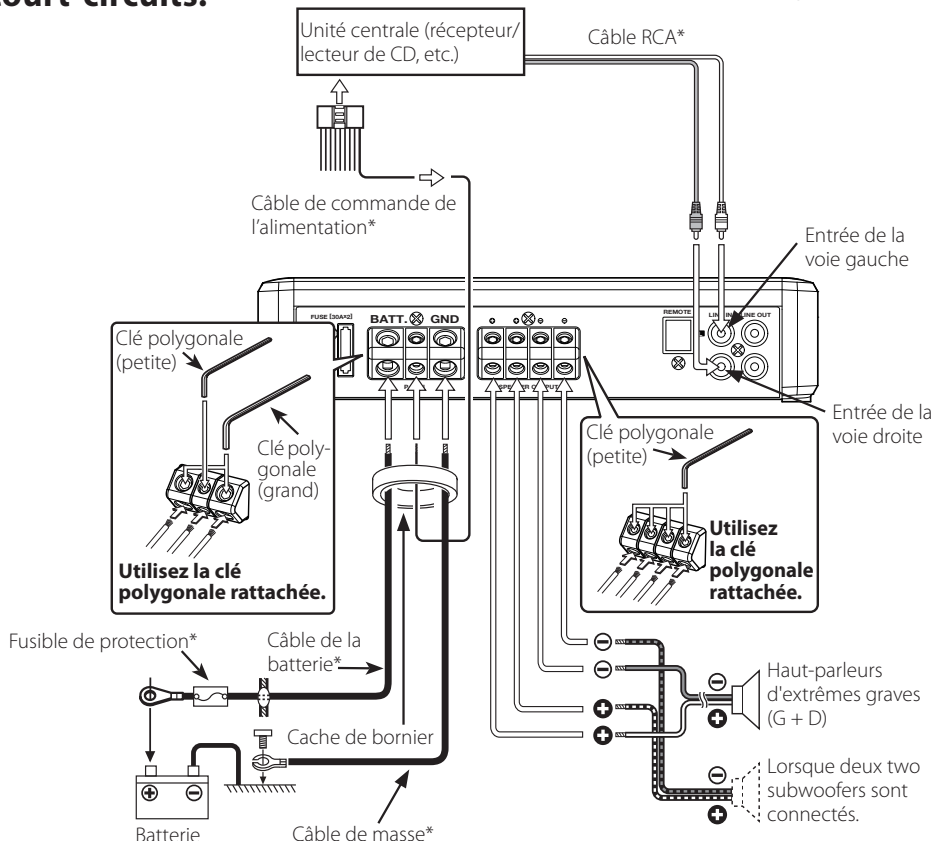
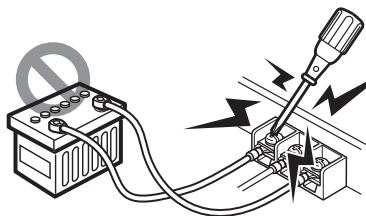
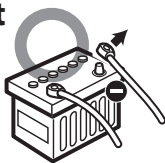


■ Accessoires

Nom de la pièce	Vue extérieure	Quantité
Câble de la télécommande (6,0 m : 19,7 ft)		1
Télécommande		1
Support de montage		1
Vis taraudeuses (ø2,6 x 12 mm) (1/8" x 1/2")		2

⚠ AVERTISSEMENT

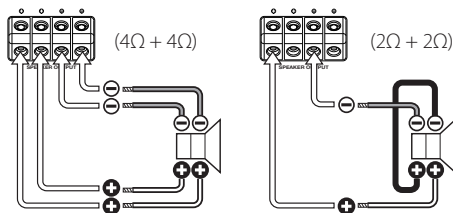
Retirer la clé de contact et débrancher la borne négative \ominus de la batterie pour éviter les court-circuits.



⚠ AVERTISSEMENT

- Pour éviter tout incendie dû à un court-circuit, insérer un fusible ou un coupe-circuit à proximité de la borne de la batterie.

Subwoofer à Bobine Double Voix



▲ ATTENTION

- En cas d'anomalie, mettre immédiatement l'appareil hors tension et vérifier tous les raccordements.
- Veiller à mettre l'appareil hors tension avant de changer la position des commutateurs.
- Si le fusible saute, vérifier si les câbles ne sont pas court-circuités, et remplacer le fusible par un autre fusible de même capacité nominale.
- Vérifier qu'aucun câble ou connecteur non raccordé ne touche la carrosserie de la voiture. Ne pas retirer les capuchons des câbles ou connecteurs non raccordés afin d'éviter tout court-circuit.

- Raccorder séparément les câbles de haut-parleur aux connecteurs de haut-parleur appropriés. La mise en commun du câble négatif d'un haut-parleur ou des fils de masse des haut-parleurs à la carrosserie métallique de la voiture pourrait rendre l'appareil inopérant.
- Après l'installation, vérifier que les voyants de frein, les clignotants et les essuie-glace fonctionnent correctement.

■ À propos des bornes de câble

1. Épaisseurs des câbles

Vous pouvez utiliser des câbles aux épaisseurs suivantes

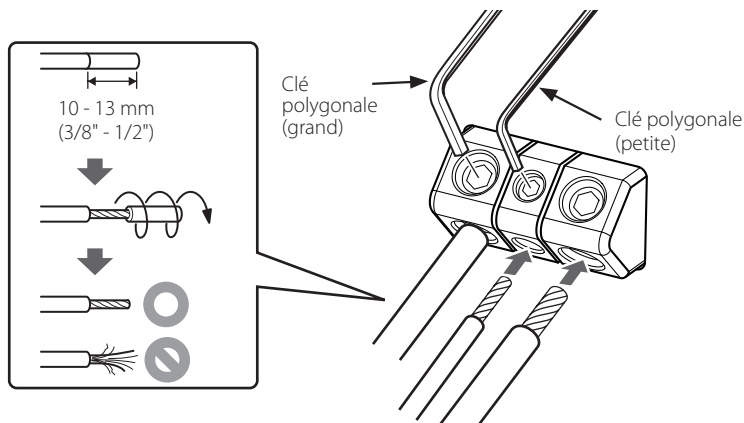
Câble de batterie et câble de masse	AWG 4 – AWG 6
Câble d'enceinte	AWG 8 – AWG 12

2. Dénuder le câble

Coupez la gaine du câble (isolant en vinyle, etc.) à environ 10-13 mm (3/8" - 1/2") de l'extrémité du câble, puis enlevez la portion de gaine inutile en la faisant tourner dans vos doigts.

3. Installer le câble

Desserrez la vis à l'aide de la clé hexagonale fournie. Insérez le fil conducteur du câble dans l'orifice de la borne, puis serrez la vis.

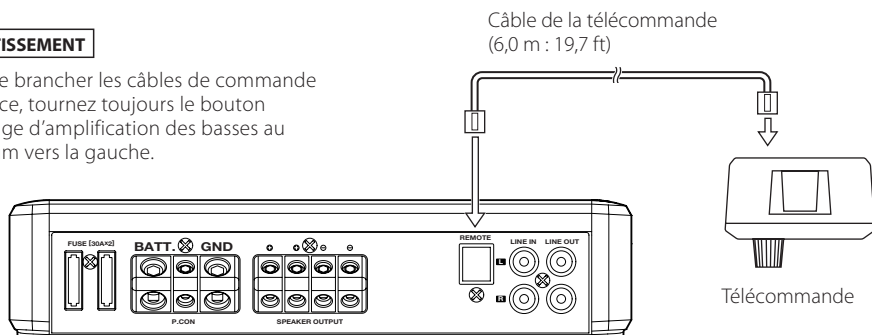


Raccordements

■ Connexion du câble de la télécommande (Accessoire de KAC-X1D. Accessoire optionnel pour XR-1S.)

▲ AVERTISSEMENT

- Avant de brancher les câbles de commande à distance, tournez toujours le bouton de réglage d'amplification des basses au maximum vers la gauche.



■ Multi-amplificateur avec connexion pour câble de commande à distance (Accessoire de KAC-X1D. Accessoire optionnel pour XR-1S.)

⚠ ATTENTION

- Avant de brancher les câbles de commande à distance, tournez toujours le bouton de réglage d'amplification des basses au maximum vers la gauche.

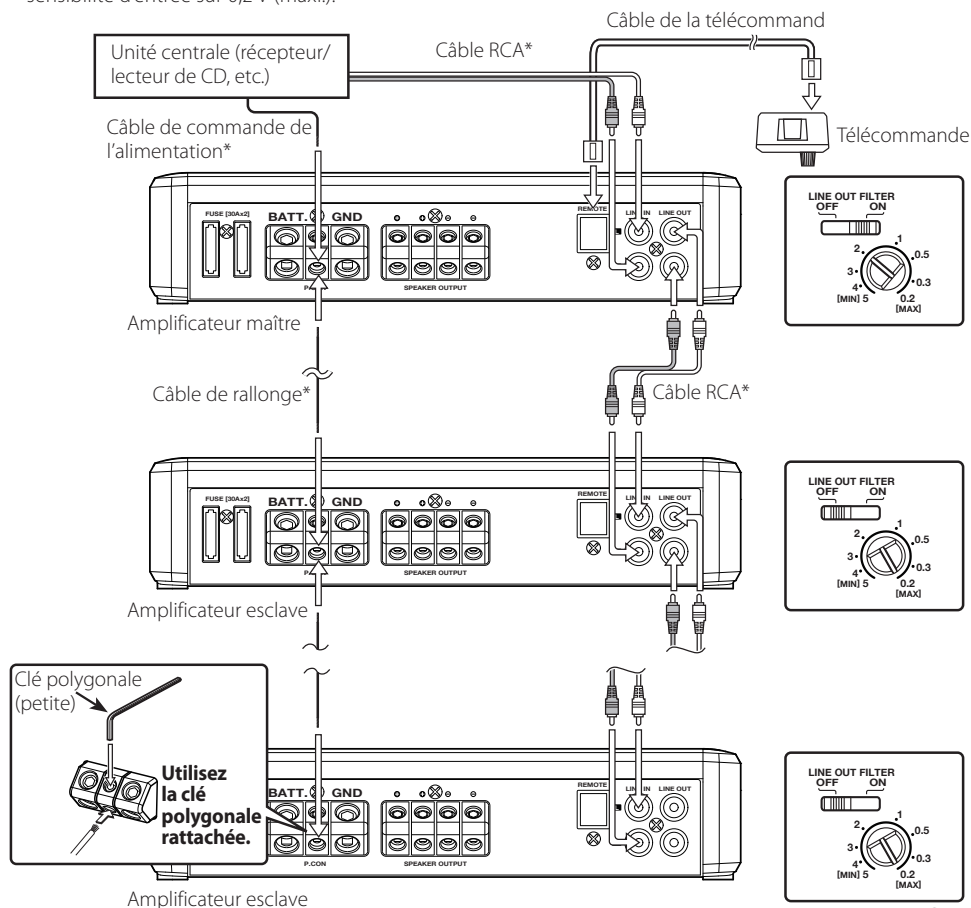
Il est possible de contrôler simultanément le niveau d'amplification des basses du deuxième amplificateur auxiliaire et des amplificateurs suivants depuis l'amplificateur principal. Le volume de chaque amplificateur est déterminé par le réglage de l'amplificateur principal (sensibilité d'entrée, niveau d'amplification de la commande à distance).

Réglage de l'amplificateur principal

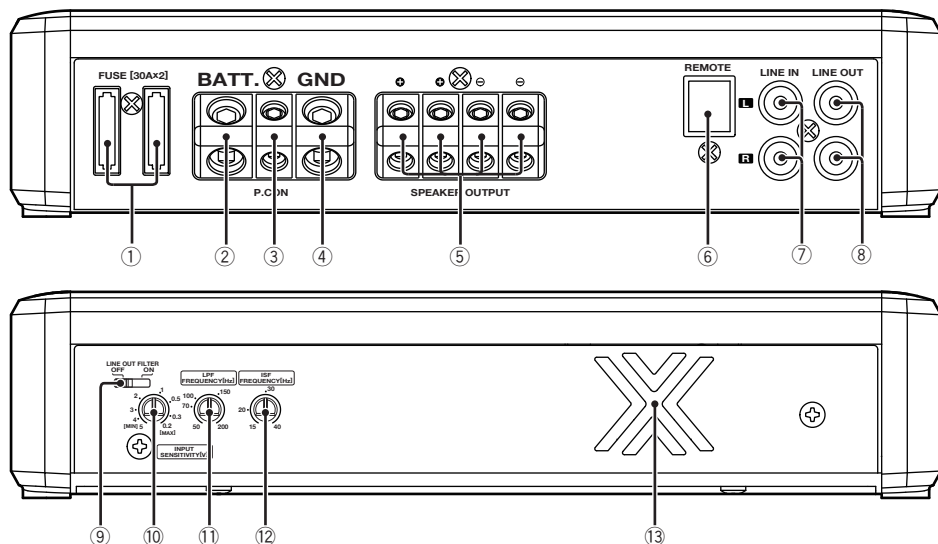
1. Réglez la sensibilité d'entrée (INPUT SENSIVITY) sur la sortie de l'unité centrale à raccorder.
2. Réglez la fréquence de filtre passe-bas (LPF) et le filtre infrasonique (ISF).
3. Mettez l'interrupteur de filtre de ligne de sortie (LINE OUT FILTER) sur ON.

Réglage de l'amplificateur auxiliaire

1. Mettez l'interrupteur de filtre de ligne de sortie (LINE OUT FILTER) sur OFF.
 2. Réglez la sensibilité d'entrée (INPUT SENSIVITY).
- Pour que le volume de l'amplificateur auxiliaire soit identique à celui de l'amplificateur principal, réglez la sensibilité d'entrée sur 0,2 V (maxi).



Contrôles



① Fusible (30 A x 2)

REMARQUE

Si vous ne trouvez pas de fusible de calibre adéquat dans le commerce, etc., contacter votre agent Kenwood.

② Borne BATT. (alimentation)

③ Borne P.CON (fil de commande d'alimentation)

Commande l'unité ON/OFF.

REMARQUE

Commande l'unité d'alimentation. Assurez-vous de le connecter à l'ensemble des différents systèmes.

④ Borne GND (masse)

⑤ Bornes SPEAKER OUTPUT

Cet appareil étant conçu pour fonctionner avec une impédance de charge de 2 Ohm, tout haut-parleur dont l'impédance est égale ou supérieure à 2 Ohm peut être branché sur ces prises.

⑥ Borne REMOTE

Connectez le câble de la télécommande.

REMARQUE

Utilisez le câble de télécommande de l'accessoire.

⑦ Borne d'entrée de ligne (LINE IN)

⑧ Sortie de ligne (LINE OUT)

Le signal audio réglé avec le filtre de ligne de sortie LINE OUT FILTER est émis.

⑨ Interrupteur de filtre de ligne de sortie (LINE OUT FILTER)

Commutation de la sortie de signal audio vers la borne de ligne de sortie (LINE OUT).

Position ON:

Le signal audio réglé lors du paramétrage du filtre passe-bas, de la sensibilité d'entrée et de l'amplification des graves est émis via la borne de ligne de sortie LINE OUT.

Position OFF:

Le signal audio envoyé par la borne de ligne d'entrée LINE IN est émis via la borne de ligne de sortie LINE OUT.

⚠ ATTENTION

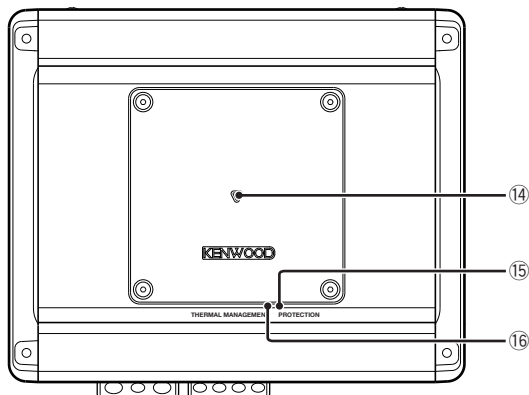
Le volume de sortie audio via la borne de ligne de sortie LINE OUT diffère en fonction de la position de l'interrupteur. Gardez ceci à l'esprit lors de la commutation de l'interrupteur de filtre de sortie (LINE OUT FILTER) de ON sur OFF.

⑩ Commande INPUT SENSITIVITY (sensibilité d'entrée)

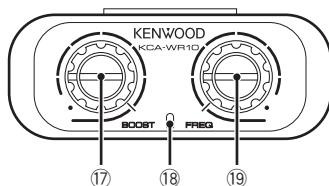
Régler cette commande selon le niveau de pré-sortie de l'unité centrale branché à cet amplificateur.

REMARQUE

Se référer à la section <Spécifications> du manuel des instructions de l'unité centrale à propos du niveau de pré-sortie.



**Télécommande (Accessoire de KAC-X1D.
Accessoire optionnel pour XR-15.)**



**① Commande LPF (Filtre passe-bas)
FREQUENCY**

Cette commande permet de régler la bande de fréquence en sortie de cet appareil.

⑫ Commande ISF (filtre infrasonore)

Les fréquences très graves que même un haut-parleur d'extrêmes graves n'est pas en mesure de reproduire, génèrent des oscillations parasites qui altèrent les sons audibles et les déforment, etc. Le réglage de cette commande permet de couper les fréquences inférieures à la fréquence spécifiée. Cette disposition permet d'accroître les performances des haut-parleurs qui ne sont plus tenus de reproduire des vibrations inutiles puisqu'elles ne sont pas perçues par l'oreille.

⑬ Ventilateur de refroidissement

⑭ Indicateur Power

Lorsque l'alimentation est activée, l'indicateur POWER s'illumine.

⑮ Indicateur PROTECTION

Cet indicateur s'éclaire lorsque la fonction de protection s'est activée. (Voir page 15)

⑯ Indicateur THERMAL MANAGEMENT

Cet indicateur s'éclaire lorsque la température interne est élevée.

**⑰ Commande BOOST LEVEL (Niveau
d'amplification des basses fréquences)**

Règle le niveau d'amplification de la gamme des basses fréquences.

⑱ Indicateur Power

**⑲ Commande FREQUENCY (Fréquence
d'amplification des basses)**

Règle la fréquence centrale autour de laquelle la gamme de basse fréquence doit être amplifiée.

Guide de dépannage

Ce qui peut apparaître comme un mauvais fonctionnement de votre appareil n'est peut être que le résultat d'une mauvaise opération ou d'une mauvaise connexion. Avant d'appeler un centre de service, vérifiez d'abord dans le tableau suivant les problèmes possibles.

PROBLEME	CAUSE POSSIBLE	SOLUTION
Absence de sons. (Pas de son d'un côté) (Fusible grillé)	<ul style="list-style-type: none">• Les câbles d'entrée (ou de sortie) sont débranchés.• Le circuit de protection peut être actionné.• Le volume est trop fort.• Les fils de raccordement d'enceinte sont en court-circuit.	<ul style="list-style-type: none">• Brancher les câbles d'entrée (ou de sortie).• Vérifier les raccordements en se reportant au paragraphe <Fonction de protection>.• Remplacez le fusible et utilisez un niveau de volume plus faible.• Après avoir vérifié le câble d'enceinte et réparé la cause du court-circuit, remplacez le fusible.
Niveau de sortie trop faible (ou trop fort).	<ul style="list-style-type: none">• La commande de réglage de la sensibilité d'entrée n'est pas amenée sur la bonne position.	<ul style="list-style-type: none">• Faire le réglage correctement en se reportant aux indications données en <Contrôles>.
La qualité sonore est mauvaise. (Le son est distordu.)	<ul style="list-style-type: none">• Les câbles de haut-parleur ont été raccordés en inversant la polarité ⊕/⊖.• Un câble de haut-parleur est pincé par une vis dans le châssis de la voiture.• Les commutateurs ne sont peut-être pas positionnés comme il convient.	<ul style="list-style-type: none">• Raccorder correctement en respectant les indications ⊕ et ⊖ des bornes et des câbles.• Rebrancher le câble de haut-parleur en évitant tout pincement• Positionner les commutateurs en tenant compte des indications fournies aux paragraphes <Exemples de système>.
La télécommande ne fonctionne pas.	<ul style="list-style-type: none">• Le câble de la télécommande est déconnecté.	<ul style="list-style-type: none">• Connectez le câble de la télécommande correctement et complètement.

Precauciones de seguridad

▲ ADVERTENCIA

Para evitar el riesgo de lesiones y/o fuego, observe las siguientes precauciones:

- La instalación y cableado de este producto requiere de habilidad y experiencia. Por motivos de seguridad, deja la labor de instalación y montaje en manos de profesionales.
- Cuando extienda los cables de la batería o de masa, asegúrese de utilizar cables para automóviles u otros cables que tengan un área de 14 mm² (AWG 6) a 21 mm² (AWG 4), para evitar el deterioro del cable y daños en su revestimiento.
- Para evitar cortocircuitos, nunca coloque ni deje objetos metálicos (por ejemplo, monedas o herramientas metálicas) dentro de la unidad.
- Si nota que la unidad emite humos u olores extraños, desconecte inmediatamente la alimentación y consulte con su distribuidor Kenwood.
- No toque el aparato mientras lo utiliza porque su superficie se calienta y puede causar quemaduras si se toca.

▲ PRECAUCIÓN

Para evitar daños en la unidad, tome las siguientes precauciones:

- Asegúrese de que la unidad está conectada a un suministro de alimentación de CC de 12V con una conexión de toma de tierra negativa.
- No abra las cubiertas superior o inferior de la unidad.
- No instale la unidad en un sitio expuesto a la luz directa del sol, o excesivamente húmedo o caluroso. Asimismo evite los lugares muy polvorientos o sujetos a salpicaduras de agua.
- Cuando tenga que reemplazar un fusible, utilice únicamente uno del régimen prescrito. El uso de un fusible de régimen incorrecto podría ocasionar un funcionamiento defectuoso de la unidad.
- Para evitar cortocircuitos mientras sustituye el fusible, desconecte previamente el mazo de conductores.

NOTA

- Si tiene problemas durante la instalación, consulte con su distribuidor Kenwood.
- Si la unidad no está funcionando correctamente, consulte con su distribuidor Kenwood.

CE Declaración de conformidad con respecto a la Directiva EMC 2004/108/CE

Fabricante:

Kenwood Corporation
2967-3 Ishikawa-machi, Hachioji-shi, Tokyo, 192-8525 Japón

Representante en la UE:

Kenwood Electronics Europe BV
Amsterdamseweg 37, 1422 AC UITHOORN,
Países Bajos

Información acerca de la eliminación de equipos eléctricos y electrónicos al final de la vida útil (aplicable a los países de la Unión Europea que hayan adoptado sistemas independientes de recogida de residuos)



Los productos con el símbolo de un contenedor con ruedas tachado no podrán ser desechados como residuos domésticos. Los equipos eléctricos y electrónicos al final de la vida útil, deberán ser reciclados en instalaciones que puedan dar el tratamiento adecuado a estos productos y a sus subproductos residuales correspondientes. Póngase en contacto con su administración local para obtener información sobre el punto de recogida más cercano. Un tratamiento correcto del reciclaje y la eliminación de residuos ayuda a conservar los recursos y evita al mismo tiempo efectos perjudiciales en la salud y el medio ambiente.

Este producto no ha sido instalado en la línea de producción por el fabricante de un vehículo, ni tampoco por el importador profesional de un vehículo dentro del estado miembro de la UE.

Limpieza de la unidad

Si la superficie de la unidad está sucia, apague la unidad y limpie con un paño siliconado suave y seco.

▲ PRECAUCIÓN

No limpie el panel con un paño áspero o humedecido con disolventes volátiles tales como diluyente de pintura o alcohol. Su uso podría rayar la superficie del panel y/o hacer que se despeguen las letras indicadoras.

Para evitar agotar la batería

Cuando la unidad se utiliza en la posición ACC ON sin conectar el motor, agota la batería. Utilícelo después de arrancar el motor.

Función de protección

La función de protección se activa en los casos siguientes:

Este aparato está equipado con una función de protección que protege el aparato y los altavoces de diversos accidentes y problemas que pueden ocurrir.

Cuando se active la función de protección, el indicador PROTECTION se encenderá y el amplificador dejará de funcionar.

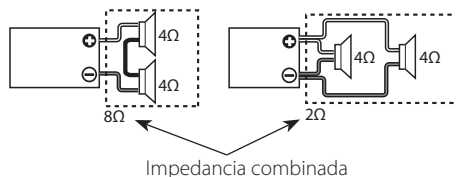
- Cuando un cable de altavoz puede estar cortocircuitado.
- Cuando la salida de un altavoz entra en contacto con masa.
- Cuando el aparato funciona mal y se envía una señal de DC a la salida de los altavoces.

■ Cableado

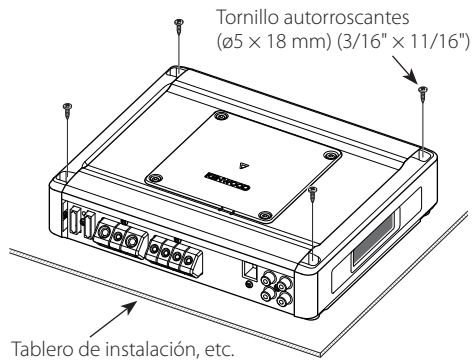
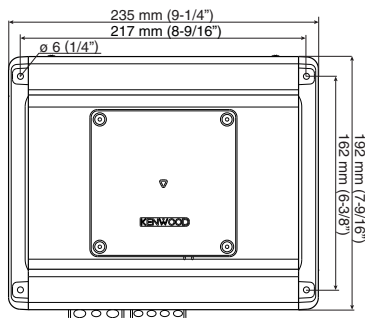
- Lleve el cable de la batería de esta unidad directamente desde la propia batería. Si se conectara al arnés del cableado del vehículo, puede provocar daños en los fusibles, etc.
- Si se produce un ruido de zumbido por los altavoces mientras funciona el motor, conecte un filtro de ruido de línea (vendido por separado) a cada cable de la batería.
- No permita que el cable entre en contacto directo con el borde de la placa de hierro, utilizando para ello arandelas de caucho.
- Conecte los cables de masa a una parte del chasis del automóvil que actúe como puesta a masa por donde pase la electricidad hasta el borne negativo \ominus de la batería. No conecte la alimentación si no están conectados los cables de masa.
- Asegúrese de instalar un fusible de protección en el cable de corriente cerca de la batería. El fusible positivo debería tener la misma capacidad que el de la unidad o algo mayor.
- Para el cable de corriente y la masa, utilice un cable de corriente para vehículos (ignifugo) con una capacidad mayor que la capacidad del fusible de la unidad. (Utilice un cable de fuerza con un diámetro entre 14 mm² (AWG 6) y 21 mm² (AWG 4).)
- Cuando desee utilizar más de un amplificador de potencia, utilice un cable de suministro de alimentación y un fusible de protección de una capacidad de soporte de corriente mayor a la corriente máxima total utilizada por cada amplificador.

■ Selección de altavoces

- La potencia de entrada asignada de los altavoces que se conecten al amplificador debe ser mayor que la potencia de salida máxima (en Wats) del amplificador. Utilizar altavoces que posean potencias de entrada menores a la salida de entrada del amplificador producirá emisiones de humo y daños.
- Utilice altavoces que posean una impedancia de 2Ω o más. Cuando desee utilizar más de un juego de altavoces, calcule la impedancia combinada de estos altavoces y luego conecte adecuadamente los altavoces al amplificador.



Instalación



Tablero de instalación, etc.
(grosor: 15 mm (9/16") o más)

■ Accesorios

Nombre de pieza	Vista exterior	Unidades
Tornillo autorroscantes (ø5 × 18 mm) (3/16" × 11/16")		4
Llave hexagonal (Grande)		1
Llave hexagonal (Pequeña)		1
Cubierta de terminales (Terminal del cable de alimentación)		1

■ Procedimiento de instalación

Como se puede hacer una gran variedad de ajustes y conexiones según las aplicaciones, lea atentamente el manual de instrucciones para seleccionar el ajuste y la conexión apropiados.

1. Retire la llave de encendido y desconecte el terminal negativo ⊖ de la batería para evitar cortocircuitos.
2. Prepare el aparato según el uso que vaya a hacer de él.
3. Conecte los cables de entrada y salida de las unidades.
4. Conecte los cables del altavoz.
5. Conecte el cable de alimentación, el cable de control de alimentación y el cable de tierra en este orden.
6. Coloque los elementos de instalación en la unidad.
7. Coloque la unidad.
8. Instalación del controlador remoto.
9. Conecte la terminal negativa ⊖ de la batería.

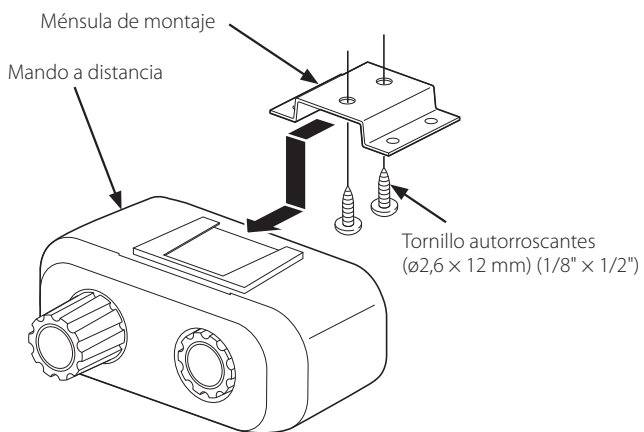
▲ PRECAUCIÓN

- No instale el equipo en las siguientes ubicaciones; (Ubicación inestable; En un lugar que interfiera a la conducción; En un lugar en el que pueda


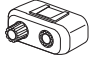


mojarse; En un lugar con exceso de polvo; En un lugar en el que pueda recalentarse; En un lugar en el que reciba la luz directa del sol; En un lugar situado en el flujo de aire caliente)

- No utilice el aparato bajo una alfombra porque en caso contrario, éste podría sobrecalentarse y estropearse.
- Instale este aparato en un lugar donde el calor pueda disiparse fácilmente. Una vez instalado, no ponga nada sobre él.
- La temperatura de la superficie del amplificador se elevará durante su uso. Instale el amplificador en un lugar seguro donde personas, resinas y otras substancias sensibles al calor no entren en contacto con esta superficie.
- Esta unidad tiene un ventilador de refrigeración para reducir la temperatura interna. No instale la unidad en un lugar donde estén bloqueados el ventilador y los ductos de refrigeración. Al taponar estas aberturas no podrá reducirse adecuadamente la temperatura interior y podrá producirse un fallo en el funcionamiento.
- Cuando haga un orificio bajo el asiento o en el portaequipajes o en algún otro lugar del vehículo, verifique que no existan objetos peligrosos al lado opuesto tales como un tanque de gasolina, tubo del freno, o los alambres del cableado del coche y tenga cuidado de no rayar las piezas del vehículo o causar algún otro daño.
- No lo instale cerca del panel de controles, bandeja trasera, o piezas de seguridad del colchón de aire.
- La instalación de esta unidad debe ser realizada en un lugar donde no estorbe la conducción. Si la unidad se sale de su posición debido a un choque y golpea a una persona o a alguna pieza de seguridad, puede causar o un accidente.
- Después de instalar el aparato, cerciórese de que los equipos eléctricos (luces de freno, intermitentes y limpiadores) funcionen normalmente.

■ **Mando a distancia (Accesorio de KAC-X1D. Accesorio opcional para XR-15.)**

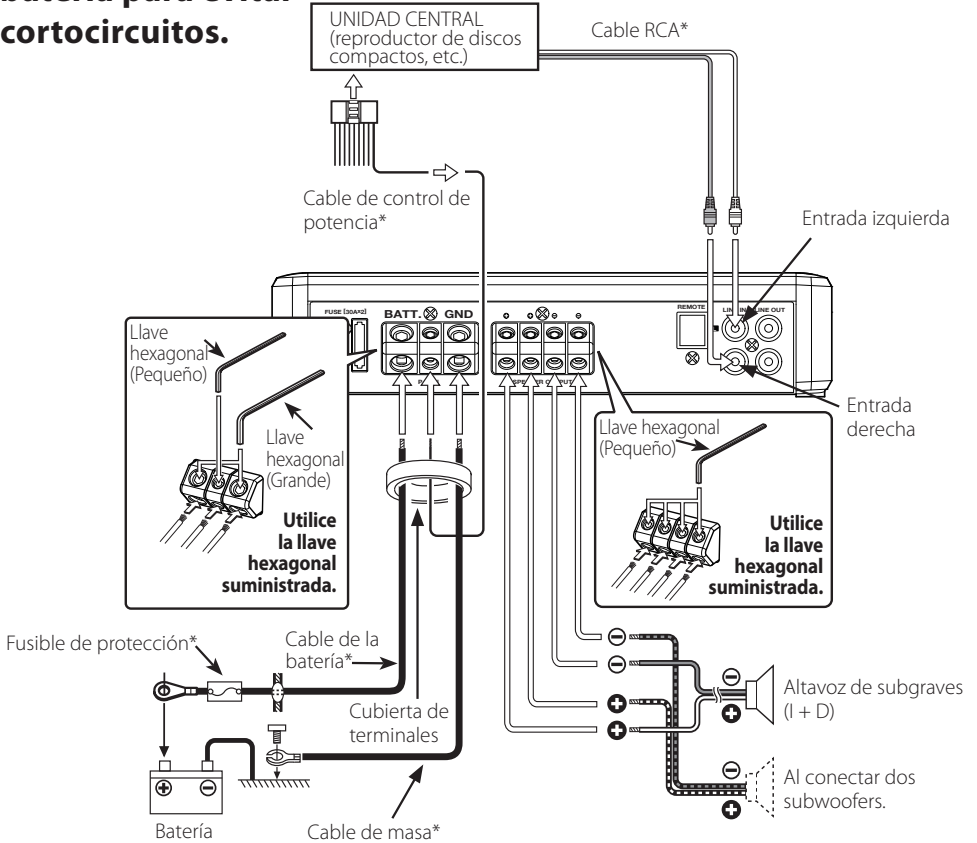
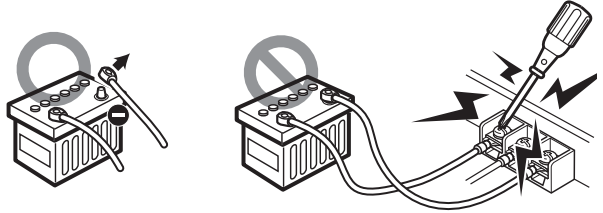


■ **Accesorios**

Nombre de pieza	Vista exterior	Unidades
Cable del mando a distancia (6,0 m : 19,7 ft)		1
Mando a distancia		1
Ménsula de montaje		1
Tornillo autorroscantes ($\varnothing 2,6 \times 12 \text{ mm}$) ($1/8" \times 1/2"$)		2

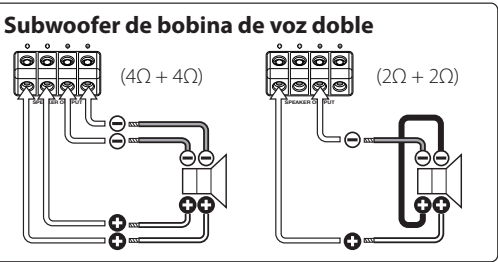
⚠ ADVERTENCIA

Retire la llave de encendido y desconecte el terminal negativo \ominus de la batería para evitar cortocircuitos.



⚠ ADVERTENCIA

- Para evitar incendios producidos por cortocircuitos en el cableado, conecte un fusible o cortacircuito entre la batería y los terminales de la batería.



⚠ PRECAUCIÓN

- Si el sonido no sale normalmente, desconecte inmediatamente la alimentación y compruebe las conexiones.
 - No se olvide de desconectar la alimentación antes de cambiar el ajuste de cualquier conmutador.
 - Si el fusible se quema, compruebe que no haya un cortocircuito en los cables, luego cambie el fusible por uno que tenga el mismo amperaje.
 - Verifique que ninguno de los cables o conectores que están sin conectar se encuentren tocando la carrocería del automóvil. No retire las tapas de los cables o conectores que están sin conectar para evitar de que se produzcan cortocircuitos.
- Conecte los cables del altavoz a los conectores adecuados del altavoz separadamente. La puesta en contacto de terminales de altavoces distintos, o la conexión como toma de tierra de los terminales del altavoz al coche del automóvil, pueden causar daños a la unidad.
 - Después de la instalación, compruebe que las lámparas del freno, luces de destello y limpiaparabrisas funcionar correctamente.

■ Acerca de los terminales conductores

1. Grosos de cables.

Puede utilizar cables con los siguientes grosores:

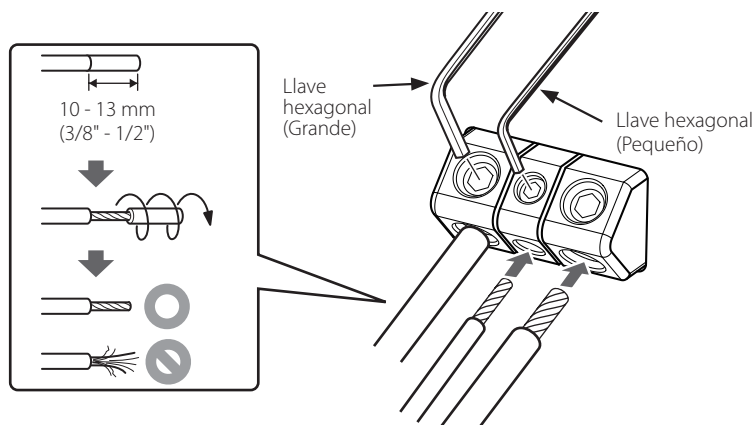
Cable de batería y cable de tierra	AWG 4 – AWG 6
Cable de altavoz	AWG 8 – AWG 12

2. Pele el cable.

Realice un corte en el revestimiento del cable (aislante de vinilo, etc.) a 10-13 mm (3/8" - 1/2") del extremo del cable y, a continuación, retire la parte innecesaria del revestimiento torciéndola.

3. Instale el cable.

Afloje el tornillo con la llave hexagonal suministrada. Inserte el conductor del cable en el orificio del terminal y apriete el tornillo.

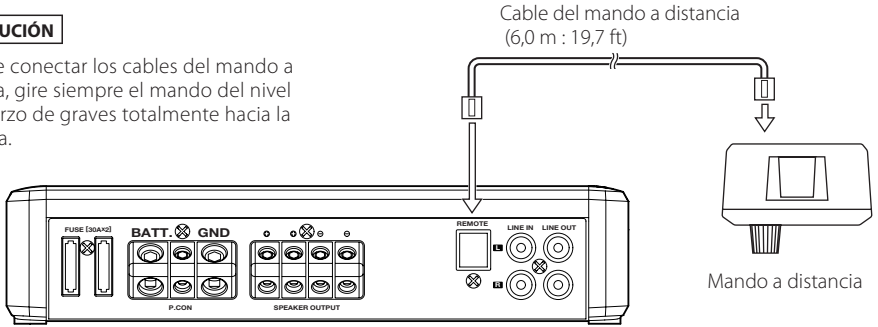


Conexiones

■ Conexión del cable del mando a distancia (Accesorio de KAC-X1D. Accesorio opcional para XR-1S.)

⚠ PRECAUCIÓN

- Antes de conectar los cables del mando a distancia, gire siempre el mando del nivel de refuerzo de graves totalmente hacia la izquierda.



■ Amplificador múltiple con conexión a cable remoto (Accesorio de KAC-X1D. Accesorio opcional para XR-15.)

▲ PRECAUCIÓN

- Antes de conectar los cables del mando a distancia, gire siempre el mando del nivel de refuerzo de graves totalmente hacia la izquierda.

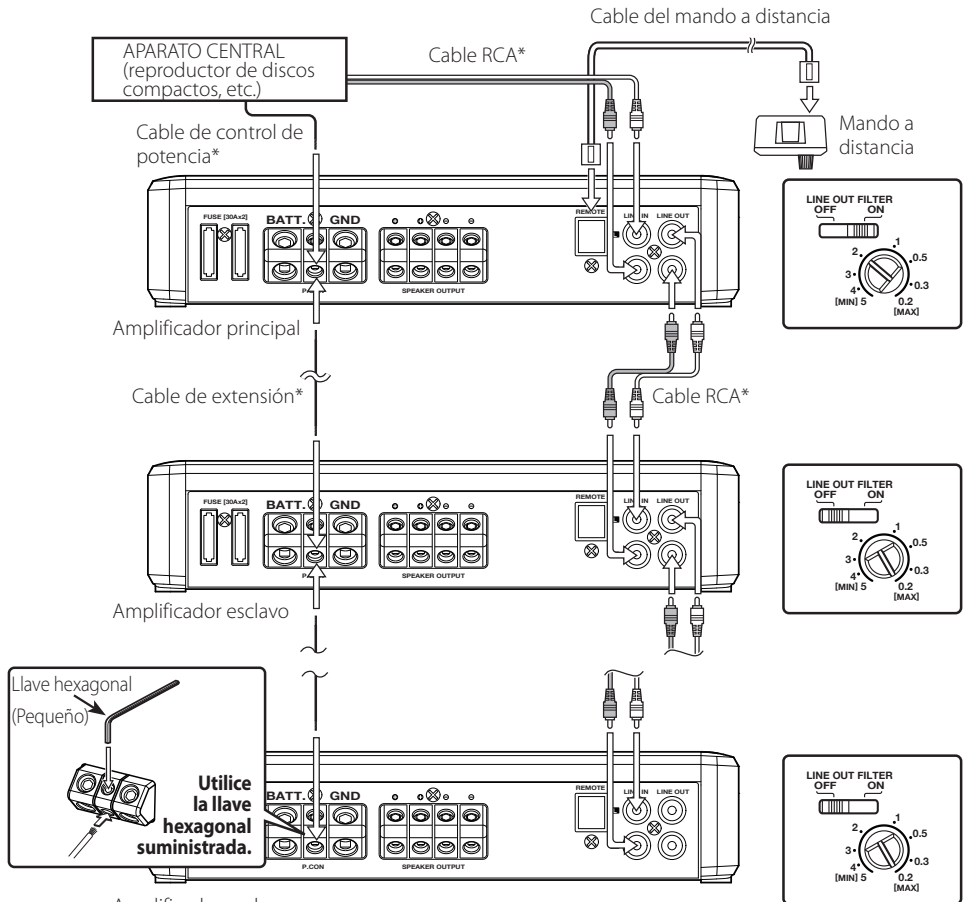
Puede controlar el nivel de refuerzo de graves del segundo amplificador esclavo y los posteriores simultáneamente desde el amplificador maestro. El nivel del volumen de cada amplificador se determina por la configuración del amplificador maestro (INPUT SENSITIVITY, nivel de refuerzo del mando a distancia).

Configuración del amplificador maestro

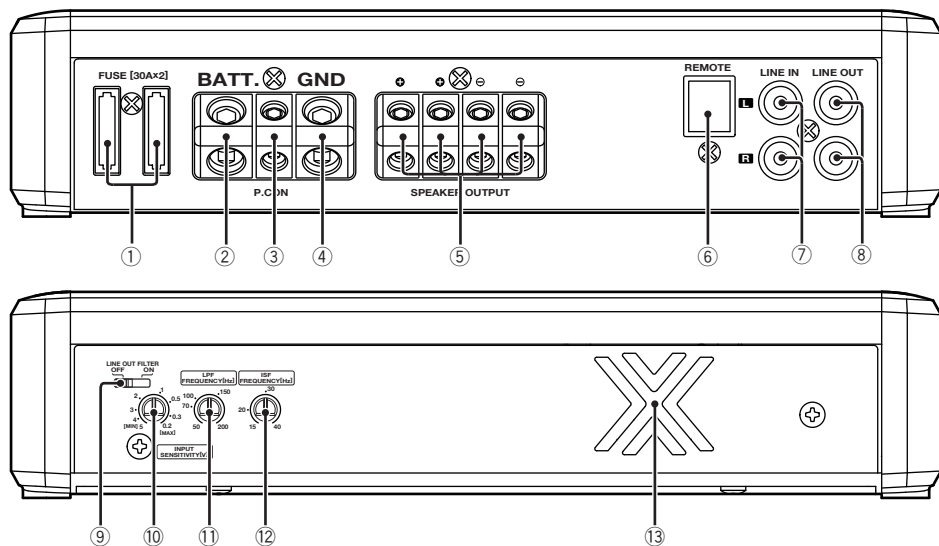
1. Ajuste INPUT SENSITIVITY a la salida de la unidad central en la que se conecta.
2. Configure la frecuencia LPF e ISF.
3. Establezca el interruptor LINE OUT FILTER en ON.

Configuración del amplificador esclavo

1. Establezca el interruptor LINE OUT FILTER en OFF.
 2. Ajuste INPUT SENSITIVITY.
- Para ajustar el amplificador esclavo al mismo volumen que el amplificador maestro, ajuste INPUT SENSITIVITY en 0,2 V (máx.).



Controles



① Fusible (30 A x 2)

NOTA

Si no puede encontrar el fusible de la capacidad especificada en su almacén etc., consulte su distribuidor Kenwood.

② Terminal BATT. (alimentación)

③ Terminal del control de corriente (P.CON)

Controla la conexión / desconexión de la unidad.

NOTA

Controla la potencia de la unidad. Asegúrese de conectarlo con todos los sistemas.

④ Terminal GND (tierra)

⑤ Terminales SPEAKER OUTPUT

Como este apartado acepta altavoces con una impedancia mínima de 2 ohmio, conecte altavoces con una impedancia de 2 ohmio o más a estos terminales.

⑥ Terminal REMOTE

Conecte el cable del mando a distancia.

NOTA

Utilice el cable del mando a distancia del accesorio.

⑦ Terminal LINE IN (entrada de línea)

⑧ Tomas de salida de línea (LINE OUT)

Se emitirá la señal de sonido establecida con el interruptor LINE OUT FILTER.

⑨ Interruptor LINE OUT FILTER

Cambio de la salida de la señal de sonido al terminal LINE OUT.

Posición ON:

La señal de sonido ajustada al configurar el control LPF, INPUT SENSIVITY y refuerzo de graves se emite al terminal LINE OUT.

Posición OFF:

La entrada de señal de sonido desde el terminal LINE IN se emite al terminal LINE OUT (a través de la salida).

⚠ PRECAUCIÓN

El volumen de la salida de sonido al terminal LINE OUT es diferente en las posiciones ON y OFF. Recuerde esto al cambiar el interruptor LINE OUT FILTER de ON a OFF.

⑩ Control INPUT SENSITIVITY (sensibilidad de entrada)

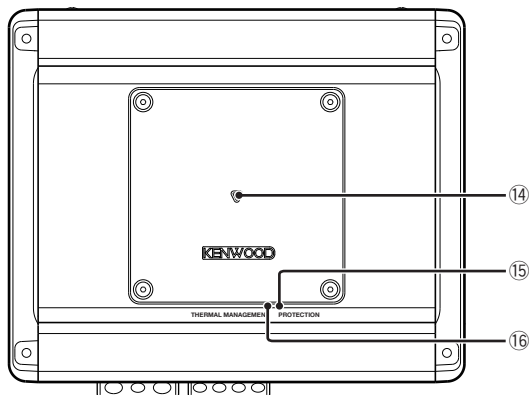
Ajustar este control de acuerdo con el nivel de presalida de la unidad central conectada a este amplificador.

NOTA

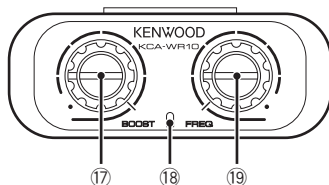
Referir a <Especificaciones> del manual de instrucciones de la unidad central con respecto al nivel de presalida.

⑪ Control LPF (filtro de paso bajo) FREQUENCY

Este control ajusta la salida de la banda de frecuencia de esta unidad.



Mando a distancia (Accesorio de KAC-X1D. Accesorio opcional para XR-15.)



12 Control ISF (filtro infrasónico)

Las frecuencias ultrabajas que no pueden ser reproducidas ni siquiera por un altavoz de subgraves no se convierten en sonido, sino en oscilaciones innecesarias que afectan al sonido y causan distorsión, etc. Con este control se pueden cortar las frecuencias ultrabajas que se encuentran por debajo de las frecuencias establecidas. Esto mejorará la reproducción de los altavoces al eliminar las oscilaciones innecesarias que no se convierten en sonido.

13 Ventilador de refrigeración

14 Indicador POWER

Cuando la alimentación se activa, el indicador de POWER se ilumina.

15 Indicador PROTECTION

Este indicador se enciende cuando se active la función de protección. (Véase la página 27.)

16 Indicador THERMAL MANAGEMENT

Este indicador se enciende cuando la temperatura interior es alta.

17 Control BOOST LEVEL (nivel del amplificador de bajas frecuencias)

Ajusta el nivel al cual el margen de bajas frecuencias se debe reforzar.

18 Indicador POWER

19 Control FREQUENCY (frecuencia del amplificador de bajas frecuencias) control

Ajusta la frecuencia central al rededor de la cual se debe reforzar el margen de bajas frecuencias.

