

# KENWOOD

## KAC-8104D

---

CLASS D MONO POWER AMPLIFIER

### INSTRUCTION MANUAL

Kenwood Corporation

# Safety precautions

## ⚠ WARNING

### To prevent injury or fire, take the following precautions:

- When extending the ignition, battery, or ground wires, make sure to use automotive-grade wires or other wires with a 8 mm<sup>2</sup> (AWG 8) or more to prevent wire deterioration and damage to the wire coating.
- To prevent a short circuit, never put or leave any metallic objects (such as coins or metal tools) inside the unit.
- If the unit starts to emit smoke or strange smells, turn off the power immediately and consult your Kenwood dealer.
- Do not touch the unit during use because the surface of the unit becomes hot and may cause burns if touched.
- Mounting and wiring this product requires skills and experience. For safety's sake, leave the mounting and wiring work to professionals.

## ⚠ CAUTION

### To prevent damage to the machine, take the following precautions:

- Be sure the unit is connected to a 12V DC power supply with a negative ground connection.
- Do not open the bottom covers of the unit.
- Do not install the unit in a spot exposed to direct sunlight or excessive heat or humidity. Also avoid places with too much dust or the possibility of water splashing.
- When replacing a fuse, only use a new one with the prescribed rating. Using a fuse with the wrong rating may cause your unit to malfunction.
- To prevent a short circuit when replacing a fuse, first disconnect the wiring harness.

## NOTE

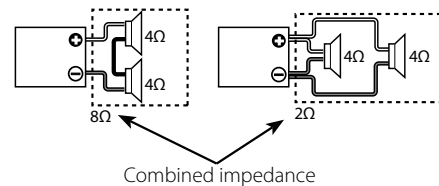
- If you experience problems during installation, consult your Kenwood dealer.
- If the unit does not seem to be working right, consult your Kenwood dealer.

## Wiring

- Take the battery wire for this unit directly from the battery. If it's connected to the vehicle's wiring harness, it can cause blown fuses etc.
- If a buzzing noise is heard from the speakers when the engine is running, connect a line noise filter (optional) to each of the battery wire.
- Do not allow the wire to directly contact the edge of the iron plate by using Grommets.
- Connect the ground wire to a metal part of the car chassis that acts as an electrical ground passing electricity to the battery's negative ⊖ terminal. Do not turn the power on if the ground wire is not connected.
- Be sure to install a protective fuse in the power cord near the battery. The protective fuse should be the same capacity as the unit's fuse capacity or somewhat larger.
- For the power cord and ground, use a vehicle type (fireproof) power wiring cord with a current capacity greater than the unit's fuse capacity. (Use a power wiring cord with a diameter of 8 mm<sup>2</sup> (AWG 8) or greater.)
- When more than one power amplifier are going to be used, use a power supply wiring wire and protective fuse of greater current-handling capacity than the total maximum current drawn by each amplifier.

## Speaker selection

- The input power of the speakers that are going to be connected should be greater than the output power (in Watts) of the amplifier. Use of speakers having input power ratings that are less than the output power of the amplifier will cause smoke to be emitted as well as damage.
- Use speakers that have an impedance of 2Ω or greater. When more than one set of speakers are going to be used, calculate the combined impedance of the speakers and then connect suitable speakers to the amplifier.



## Cleaning the unit

If the front panel gets dirty, turn off the power and wipe the panel with a dry silicon cloth or soft cloth.

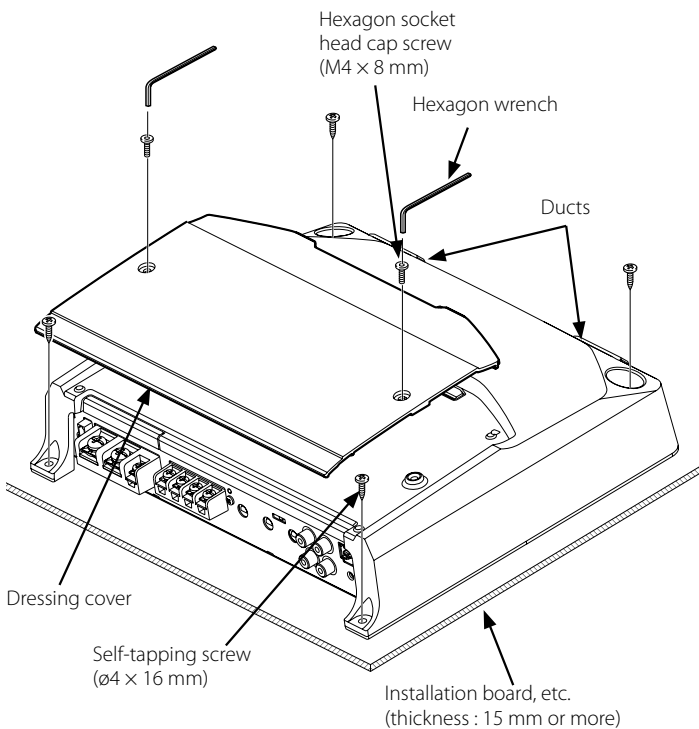
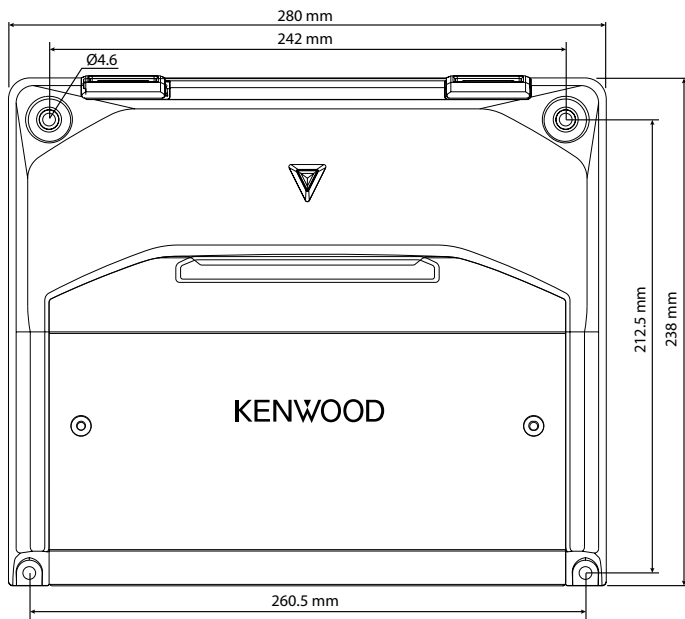
### ⚠ CAUTION

Do not wipe the panel with a hard cloth or a cloth dampened by volatile solvents such as paint thinner and alcohol. They can scratch the surface of the panel and/or cause the indicator letters to peel off.

## To prevent battery from running out

When the unit is used in the ACC ON position without turning the engine ON, it depletes the battery. Use it after starting the engine.

# Installation



## Accessories

Part name	External View	Number of Items
Self-tapping screws (Ø4 × 16 mm)		4
Terminal cover (Power terminal)		1
Speaker level input cable		1
Hexagon wrench		1

## Installation procedure

Since there are large variety of settings and connections possible according to applications, read the instruction manual well to select the proper setting and connection.

1. Remove the ignition key and disconnect the negative  $\ominus$  terminal of the battery to prevent short circuits.
2. Set the unit according to the intended usage.
3. Connect the input and output wires of the units.
4. Connect the speaker wires.
5. Connect the power wire, power control wire and grounding wire following this order.
6. Install the installation fittings in the unit.
7. Attach the unit.
8. Connect the negative  $\ominus$  terminal of the battery.

### ⚠ CAUTION

- Do not install in the below locations; (Unstable location, In a location that interferes with driving, In a location that gets wet, In a dusty location, In a place that gets hot, In a place that gets direct sunlight, In a location that gets hit by hot air)
- Do not install the unit under the carpet. Otherwise heat build-up occurs and the unit may be damaged.
- Install this unit in a location which allows heat to easily dissipate. Once installed, do not place any object on top of the unit.
- The surface temperature of the amplifier will become hot during use. Install the amplifier in a place where people, resins, and other substances that are sensitive to heat will not come into contact with it.
- Do not mount the unit in a place where the ducts of the unit are blocked. Blocking these openings will inhibit the cooling of the internal temperature and result in malfunction.
- When making a hole under a seat, inside the trunk, or somewhere else in the vehicle, check that there is nothing hazardous on the opposite side such as a gasoline tank, brake pipe, or wiring harness, and be careful not to cause scratches or other damage.
- Do not install near the dashboard, rear tray, or air bag safety parts.
- The installation to the vehicle should securely fasten the unit to a place in which it will not obstruct driving. If the unit comes off due to a shock and hits a person or safety part, it may cause injury or an accident.
- After installing the unit, check to make sure that electrical equipment such as the brake lamps, turn signal lamps and windshield wipers operate normally.

## Protection function

The protection function is activated in the following situations:

This unit is equipped with a protection function for protecting this unit and your speakers from various accidents or problems that can occur.

When the protection function is triggered, the Power indicator goes OFF and the amplifier stops operating.

- When a speaker wire may be short-circuited.
- When a speaker output contacts ground.
- When the unit malfunctions and a DC signal is sent to the speaker output.
- When the internal temperature is high and unit won't operate.
- When a ground wire of the center unit (cassette receiver, CD receiver, etc.) or this unit is not connected to a metal part serving as an electrical ground passing electricity to the battery's negative  $\ominus$  terminal.

## ⚠ WARNING

To prevent fire caused by a short in the wiring, connect a fusible link or breaker nearby the battery's positive terminal.



## ⚠ CAUTION

- If sound is not output normally, immediately turn power off and check connections.
- Be sure to turn the power off before changing the setting of any switch.
- If the fuse blows, check wires for shorts, then replace the fuse with one of the same rating.
- Check that no unconnected wires or connectors are touching the car body. Do not remove caps from unconnected wires or connectors to prevent short circuits.
- Connect the speaker wires to appropriate speaker connectors separately. Sharing the negative wire of the speaker or grounding speaker wires to the metal body of the car can cause this unit to fail.

## NOTE

- Do not connect cables and leads to both RCA cable input jacks and the speaker level input terminals simultaneously, for this may cause malfunction or damage.

### Speaker level input connections

- The genuine-accessory car stereo shall have a maximum power output of no more than 40 W.
- The power is turned on and off as the unit detects input signal (Signal Sensing Turn-ON). There fore it is not necessary to connect the power control wire.

### Speaker output terminals

- As this unit accepts speakers with a minimum impedance of 2 ohms, connect speakers with 2-ohms or higher impedance to these terminals.

### LINE OUT terminal

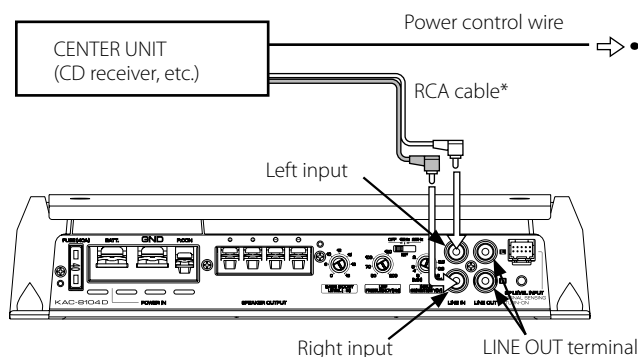
- The signal that's input from the line input terminal is output.

### Fuse

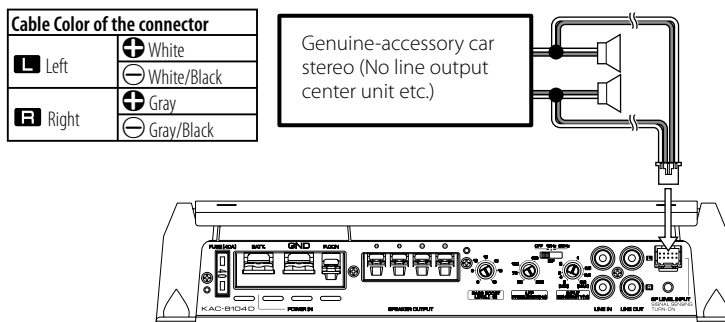
40 A × 1

## RCA cable or Speaker level input connection

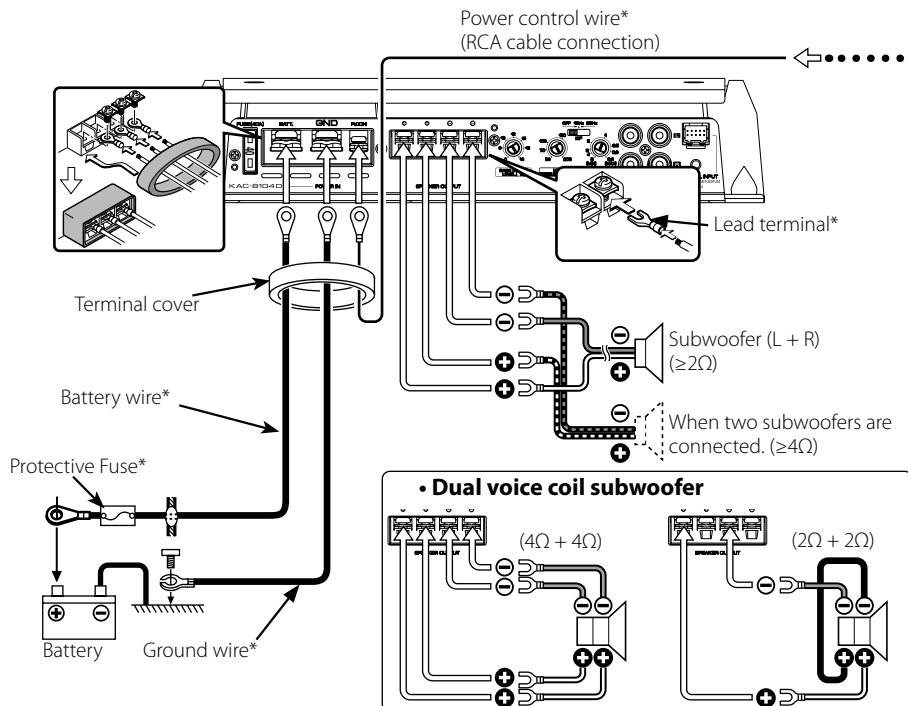
### • RCA cable connections



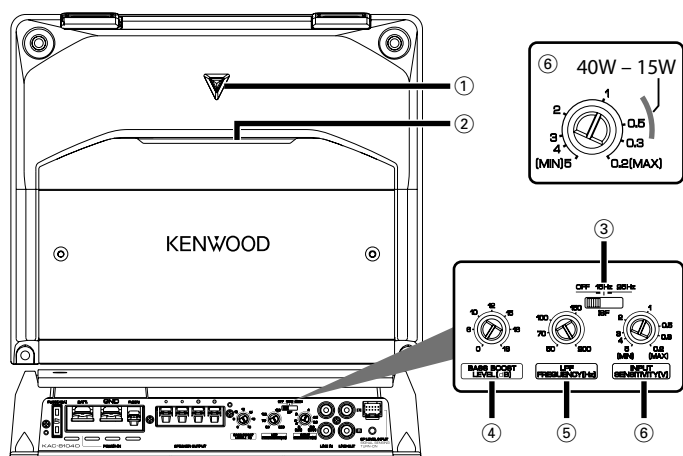
### • Speaker level input connections



## Power wire and Speaker wire connection



## Controls



### ① Power indicator

When the power is turned on, the Power indicator lights. If the Power indicator does not light when the power is turned on, the protection function may be activated. Check whether there is any indication of trouble. Refer to <Protection function> (page 3).

### ② Illumination

### ③ ISF (infrasonic filter) switch

Ultralow frequencies that cannot be reproduced even by a subwoofer speaker do not become sound but become unnecessary oscillations, which affect the sound by causing distortion, etc. Setting this switch to "15 Hz" or "25 Hz" cuts the frequencies below the respective frequency.

This improves the reproduction performance of the speakers by eliminating unnecessary oscillations which will not become sound.

### ④ BASS BOOST LEVEL control

Sets the low frequency level to be compensated.

### ⑤ LPF (Low-Pass Filter) FREQUENCY control

This control adjusts the frequency band output from this unit.

### ⑥ INPUT SENSITIVITY control

Set this control according to the pre-output level of the center unit connected with this unit, or to the maximum power output of the genuine-accessory car stereo.

Use the diagram on the right as a guide.

## Troubleshooting Guide

**What might appear to be a malfunction in your unit may just be the result of slight misoperation or miswiring. Before calling service, first check the following table for possible problems.**

### No sound. (Blown fuse.)

- ✓ Input (or output) cables are disconnected.
  - ✎ Connect the input (or output) cables.
- ✓ Protection circuit may be activated.
  - ✎ Check connections by referring to <Protection function>.
- ✓ Volume is too high.
  - ✎ Replace the fuse and use lower volume.
- ✓ The speaker cord is shorted.
  - ✎ After check the speaker cord and fixing the cause of the short, replace the fuse.

### The output level is too small (or too large).

- ✓ The input sensitivity adjusting control is not set to the correct position.
  - ✎ Adjust the control correctly referring to <Controls>.

### The sound quality is bad. (The sound is distorted.)

- ✓ The speakers wire are connected with wrong  $\oplus / \ominus$  polarity.
  - ✎ Connect them properly checking the  $\oplus / \ominus$  of the terminals and wires well.
- ✓ A speaker wire is pinched by a screw in the car body.
  - ✎ Connect the speaker wire again so that it is not pinched by anything.
- ✓ The switches may be set improperly.
  - ✎ Set switches properly by referring to <Controls>.

## Specifications

### Audio Section

Max Power Output	1000 W
Rated Power Output (+B = 14.4 V)	
(4 Ω) (20 Hz – 200 Hz, 0.5 % THD)	300 W × 1
(2 Ω) (100 Hz, 0.8 % THD)	500 W × 1
Frequency Response (+0, -3 dB)	5 Hz – 200 Hz
Sensitivity (rated output)	0.2 V – 5.0 V
Input Impedance	10 kΩ
Signal to Noise Ratio	100 dB
Low Pass Filter Frequency (-24 dB/oct.)	50 – 200 Hz (variable)
Infrasonic Filter Frequency (-18 dB/oct.)	15 / 25 Hz
Bass Boost Circuit (40 Hz)	0 – +18 dB (variable)

### General

Operating Voltage	14.4 V (11 – 16 V allowable)
Current Consumption	40 A
Installation Size (W × H × D)	280 × 59 × 238 mm
Weight	2.6 kg

\* Specifications subject to change without notice.

---

**KENWOOD**