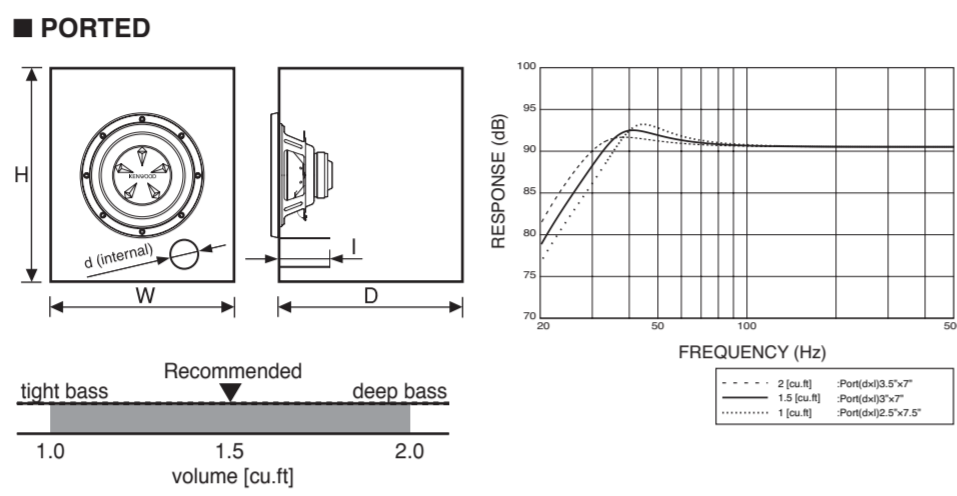
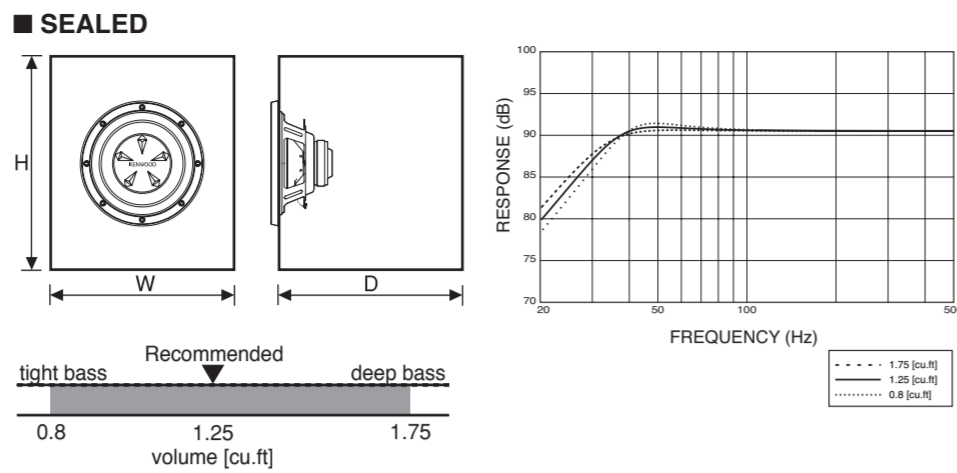


- KFC-W112S -

Technical specifications

	SYMBOL	UNIT	KFC-W112S
Nominal Impedance	Z	Ω	8
DC Resistance	Revc	Ω	6.3
Voice Coil Inductance	Levc	mH	3.2
Piston Area	Sd	sq.m	0.048
Force Factor	BL	T·m	15.4
Volume Acoustic Compliance	Vas	liter	87.7
		cu.ft	3.0
Moving Mass	Mms	g	119.5
Resonance Frequency	Fs	Hz	28
Mechanical Q Factor	Qms		10.4
Electrical Q Factor	Qes		0.613
Total Q Factor	Qts		0.579
Peak Power	W		800
Peak Excursion	Xmax	mm	7.7
Displacement		cc	3511
		cu.ft	0.124
Mounting Depth	mm (in.)		141.6(5-9/16)
Weight of Magnet	g (oz)		820(28.9)
Voice Coil Diameter	mm (in.)		50(1-15/16)

Recommended Enclosures



Recommended Enclosures *W, H, D.....External Dimensions

Model Name	Volume	W	H	D	Mounting Hole	Port Diameter d	Port Length l	Displacement
KFC-W112S	1.25 (35.4)	380 (14-15/16)	375 (14-3/4)	360 (14-3/16)	277 (10-7/8)	Sealed	Sealed	0.124
	1.5 (42.5)	380 (14-15/16)	440 (17-5/16)	360 (14-3/16)		76 (3)	178 (7)	
(unit)	cu.ft (liter)	mm (in.)						cu.ft

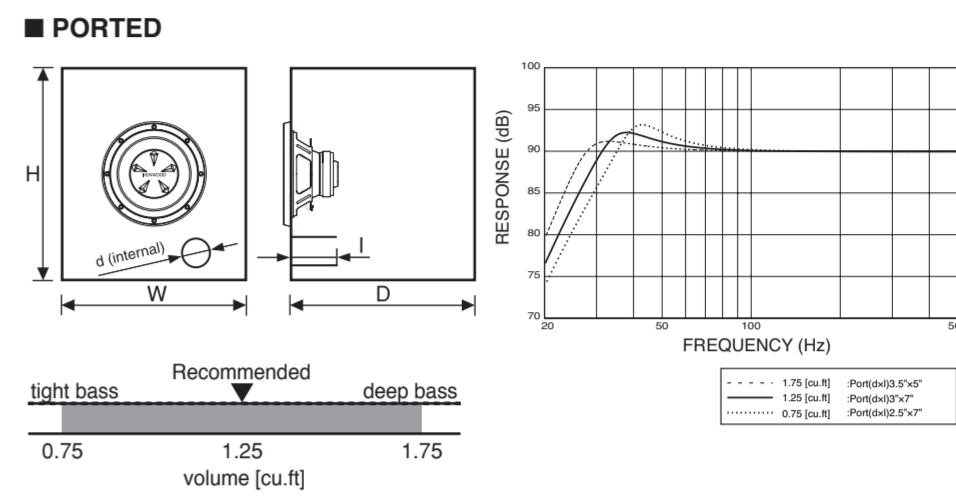
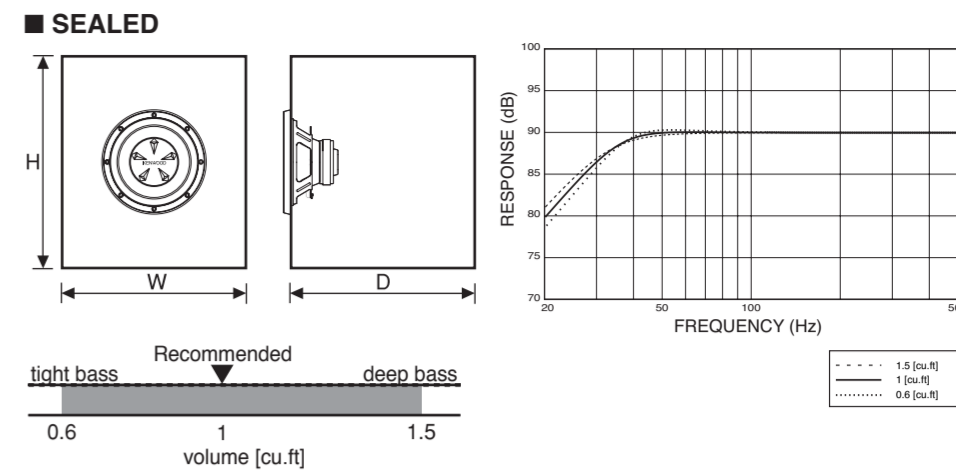
Use 21 mm (3/4 inch) thick Medium Density Fiberboard (MDF) or High Density Particleboard.

- KFC-W110S -

Technical specifications

	SYMBOL	UNIT	KFC-W110S
Nominal Impedance	Z	Ω	8
DC Resistance	Revc	Ω	6.3
Voice Coil Inductance	Levc	mH	3.2
Piston Area	Sd	sq.m	0.035
Force Factor	BL	T·m	16
Volume Acoustic Compliance	Vas	liter	40.2
		cu.ft	1.41
Moving Mass	Mms	g	112
Resonance Frequency	Fs	Hz	32
Mechanical Q Factor	Qms		10.7
Electrical Q Factor	Qes		0.591
Total Q Factor	Qts		0.561
Peak Power	W		700
Peak Excursion	Xmax	mm	7.7
Displacement		cc	2294
		cu.ft	0.081
Mounting Depth	mm (in.)		123.8(4-7/8)
Weight of Magnet	g (oz)		820(28.9)
Voice Coil Diameter	mm (in.)		50(1-15/16)

Recommended Enclosures



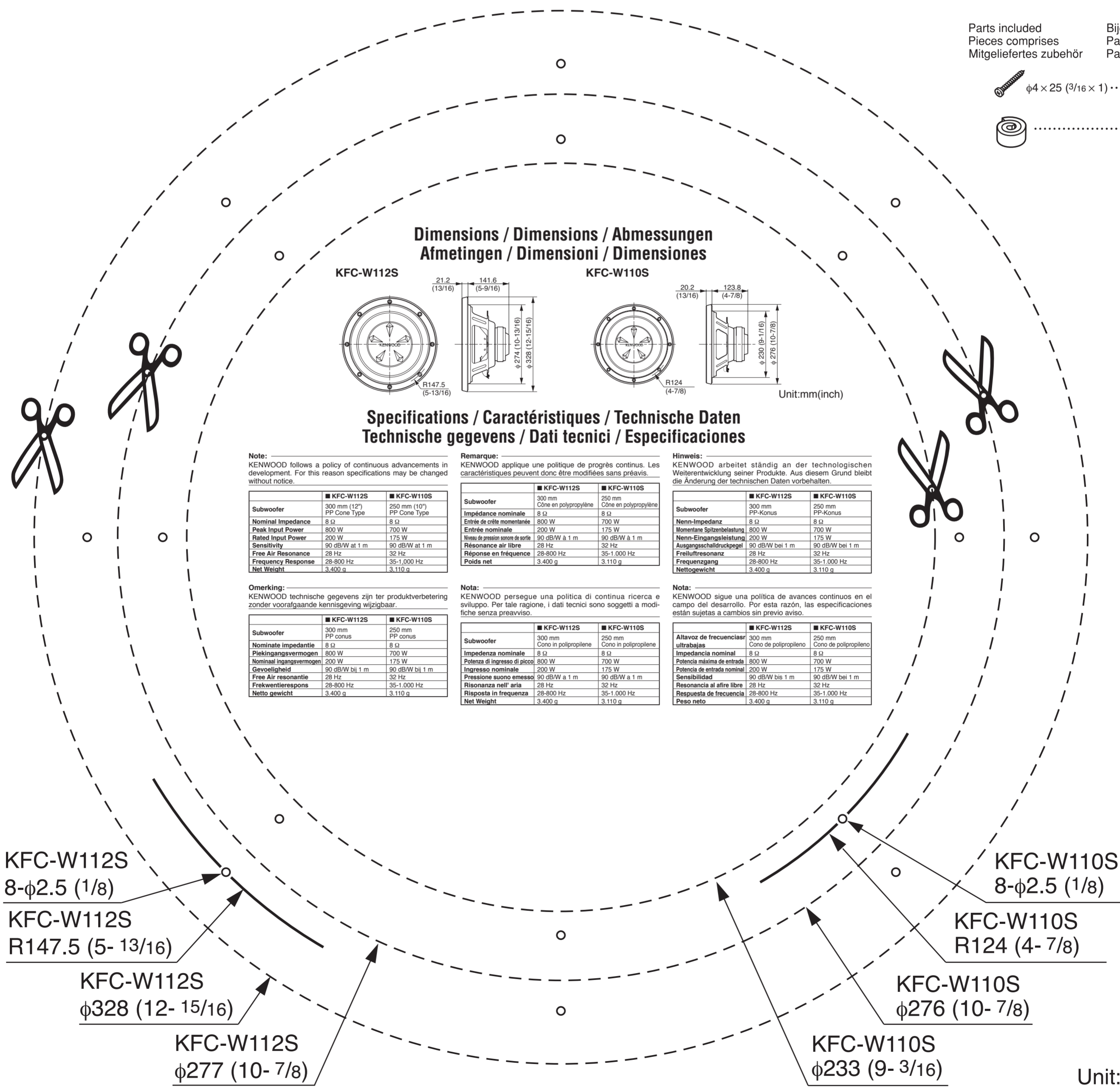
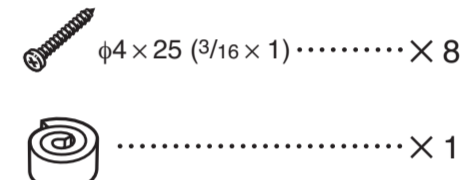
Recommended Enclosures *W, H, D.....External Dimensions

Model Name	Volume	W	H	D	Mounting Hole	Port Diameter d	Port Length l	Displacement
KFC-W110S	1 (28.3)	330 (13)	390 (15-3/8)	325 (12-13/16)	233 (9-3/16)	Sealed	Sealed	0.081
	1.25 (35.4)	340 (13-3/8)	455 (17-15/16)	330 (13)		76 (3)	178 (7)	
(unit)	cu.ft (liter)	mm (in.)						cu.ft

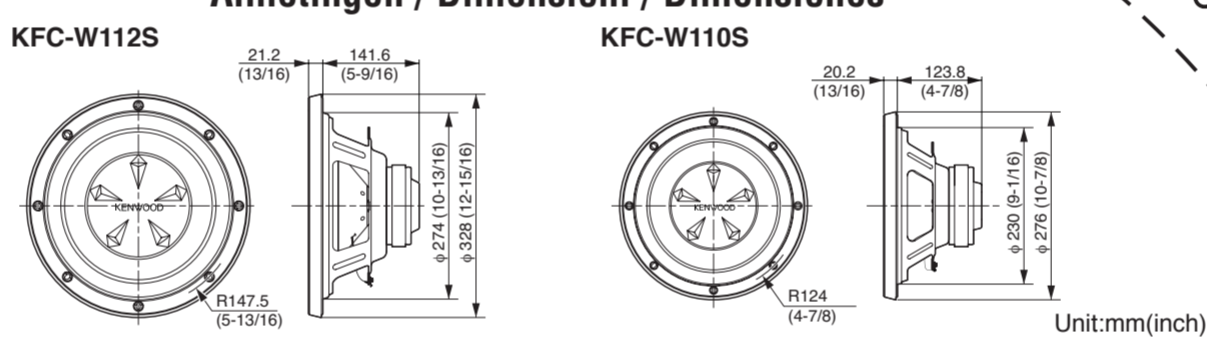
Use 21 mm (3/4 inch) thick Medium Density Fiberboard (MDF) or High Density Particleboard.

- TEMPLATE
- GABARIT
- SCHABLONE
- SJABLOON
- MASCHERINA
- PLANTILLA

Parts included
Pièces comprises
Mitgeliefertes zubehör
Bijgeleverde onderde
Parti incluse
Partes incluidas



Dimensions / Dimensions / Abmessungen Afmetingen / Dimensioni / Dimensiones



Specifications / Caractéristiques / Technische Daten Technische gegevens / Dati tecnici / Especificaciones

Note: KENWOOD follows a policy of continuous advancements in development. For this reason specifications may be changed without notice.

Remarque: KENWOOD applique une politique de progrès continus. Les caractéristiques peuvent donc être modifiées sans préavis.

Hinweis: KENWOOD arbeitet ständig an der technologischen Weiterentwicklung seiner Produkte. Aus diesem Grund bleibt die Änderung der technischen Daten vorbehalten.

	KFC-W112S	KFC-W110S
Subwoofer	300 mm (12") PP Cone Type	250 mm (10") PP Cone Type
Nominal Impedance	8 Ω	8 Ω
Peak Input Power	800 W	700 W
Rated Input Power	200 W	175 W
Sensitivity	90 dB/W at 1 m	90 dB/W at 1 m
Free Air Resonance	28 Hz	32 Hz
Frequency Response	28-800 Hz	35-1,000 Hz
Net Weight	3,400 g	3,110 g

Omerking: KENWOOD technische gegevens zijn ter productverbetering zonder voorafgaande kennisgeving wijzigbaar.

Nota: KENWOOD persegue una politica di continua ricerca e sviluppo. Per tale ragione, i dati tecnici sono soggetti a modifiche senza preavviso.

Nota: KENWOOD sigue una política de avances continuos en el campo del desarrollo. Por esta razón, las especificaciones están sujetas a cambios sin previo aviso.

	KFC-W112S	KFC-W110S
Subwoofer	300 mm PP conus	250 mm PP conus
Nominale Impedantie	8 Ω	8 Ω
Piekinputvermogen	800 W	700 W
Nominale ingangvermogen	200 W	175 W
Gevoeligheid	90 dB/W bij 1 m	90 dB/W bij 1 m
Free Air resonantie	28 Hz	32 Hz
Frequentierespons	28-800 Hz	35-1.000 Hz
Netto gewicht	3,400 g	3,110 g

	KFC-W112S	KFC-W110S
Subwoofer	300 mm Cône en polypropylène	250 mm Cône en polypropylène
Impédance nominale	8 Ω	8 Ω
Entrée de crête momentané	800 W	700 W
Entrée nominale	200 W	175 W
Niveau de pression sonore de sortie	90 dB/W à 1 m	90 dB/W à 1 m
Résonance air libre	28 Hz	32 Hz
Réponse en fréquence	28-800 Hz	35-1.000 Hz
Poids net	3.400 g	3.110 g

	KFC-W112S	KFC-W110S
Altavoz de frecuencias ultrabajas	300 mm Cóno de polipropileno	250 mm Cóno de polipropileno
Impedancia nominal	8 Ω	8 Ω
Potencia máxima de entrada	800 W	700 W
Potencia de entrada nominal	200 W	175 W
Sensibilidad	90 dB/W bis 1 m	90 dB/W bis 1 m
Resonancia al aire libre	28 Hz	32 Hz
Respuesta de frecuencia	28-800 Hz	35-1.000 Hz
Peso neto	3.400 g	3.110 g

Unit:mm (inch)